



Illustrated Parts List

Model Series

380400

TYPE NUMBERS
0024 through 0217.

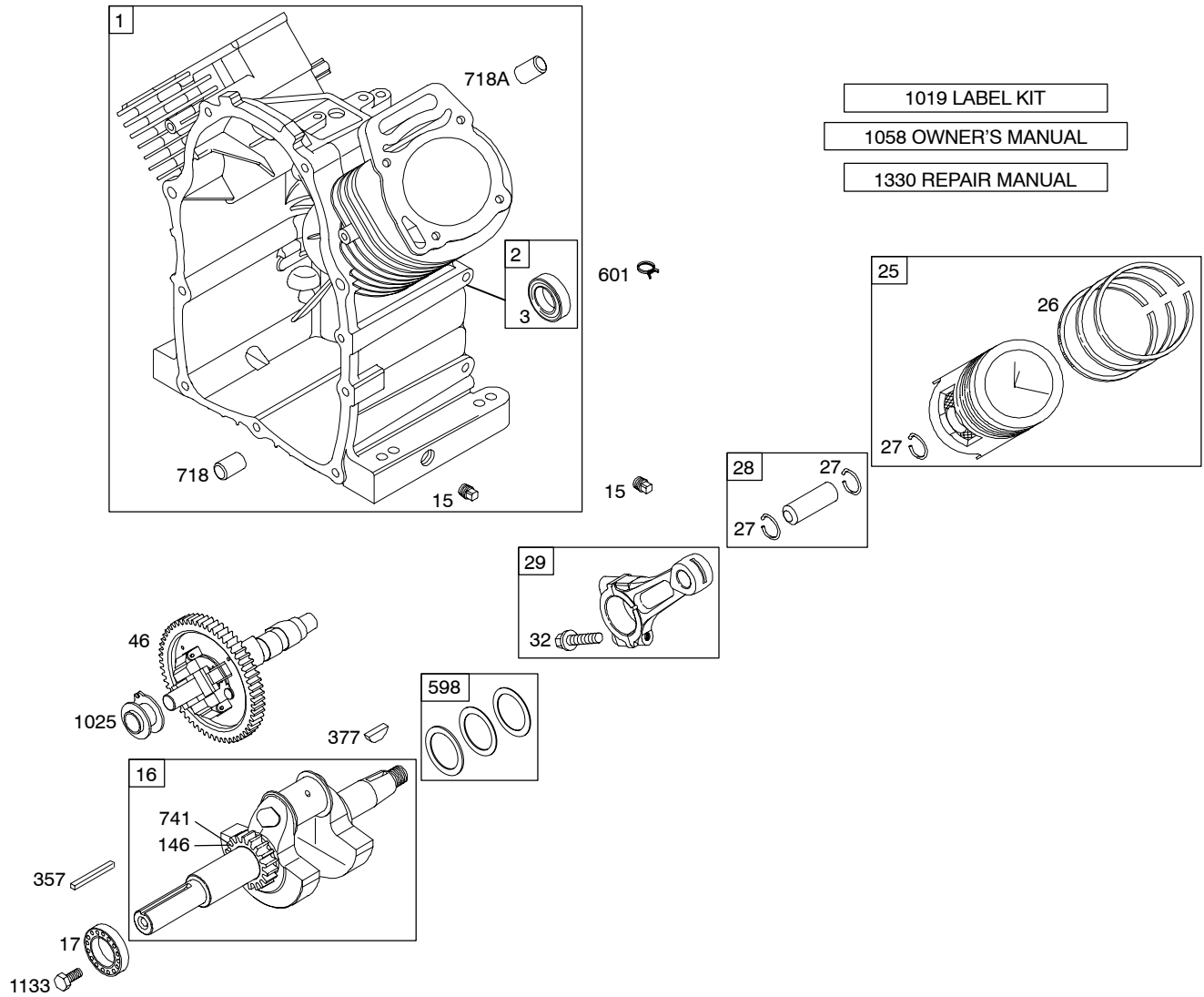
TABLE OF CONTENTS

Air Cleaner	7
Alternator	14
Blower Housing	11
Camshaft	2
Carburetor	6
Controls	9
Crankcase Cover	4
Crankshaft	2
Cylinder	2
Cylinder Head	3
Electric Starter	15
Exhaust System	8
Flywheel	12
Fuel Supply	6
Gasket Set - Engine	2
Gasket Set - Valve	3
Governor Spring	9
Ignition	14
Intake Manifolds	4
Kit - Carburetor Overhaul	6
Lubrication	5
Pistons, Rings, Connecting Rod	2
Rewind Starter	13
Shrouds	10
Valves	3

PRINTED IN U.S.A.



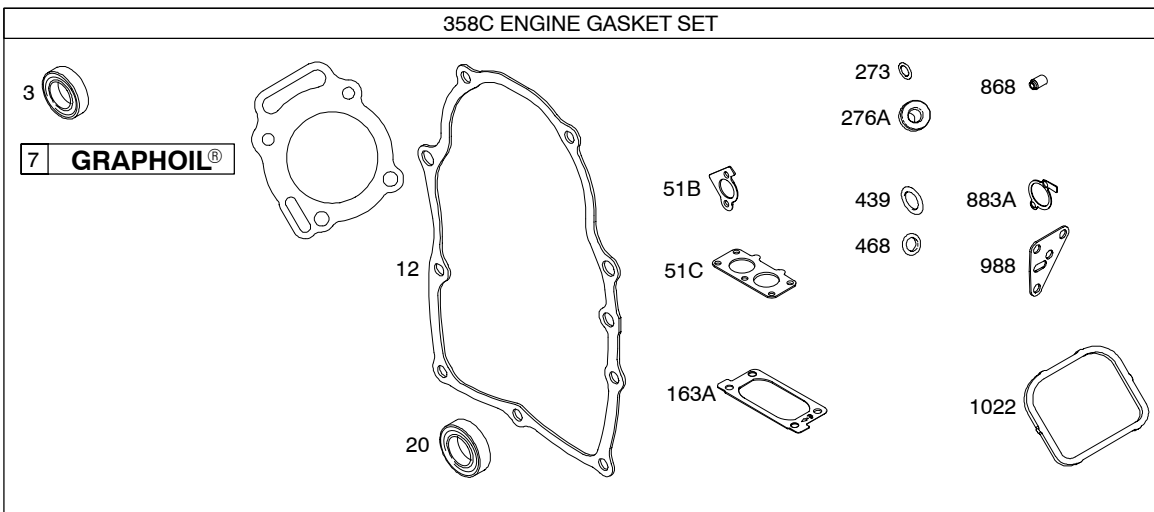
COPYRIGHT by BRIGGS & STRATTON CORPORATION
All rights reserved. No part of this material may be reproduced or transmitted, in any form or by any means, electronic or mechanical, including photocopying, recording or by any information storage and retrieval system, without permission in writing from Briggs & Stratton Corporation.



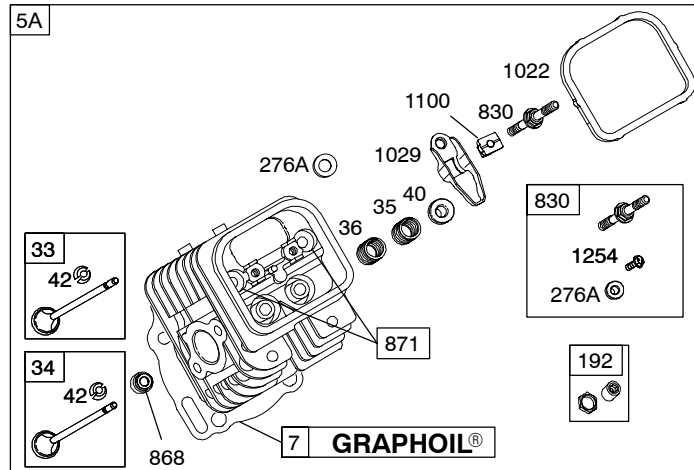
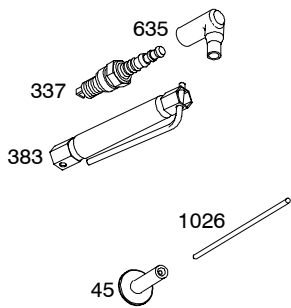
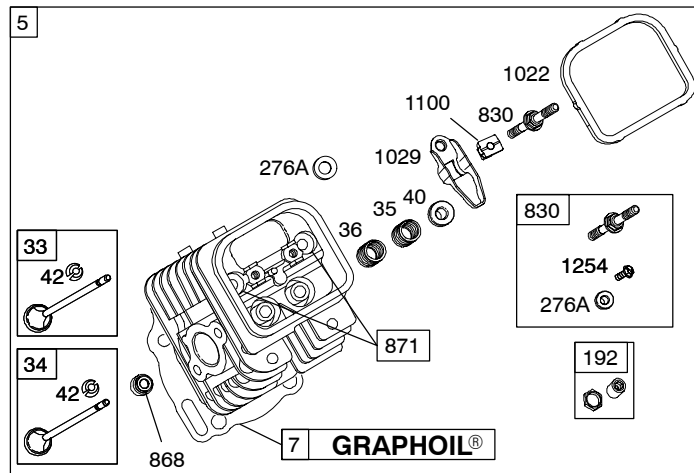
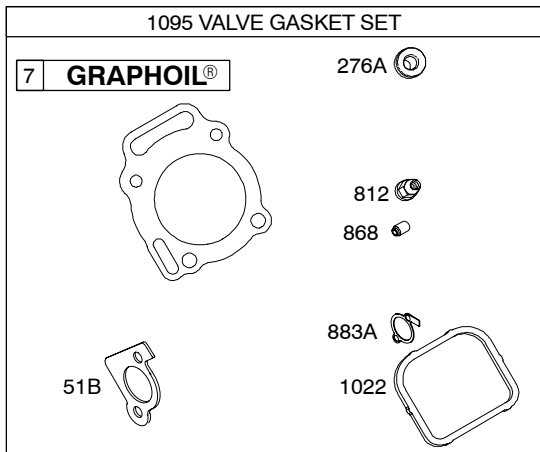
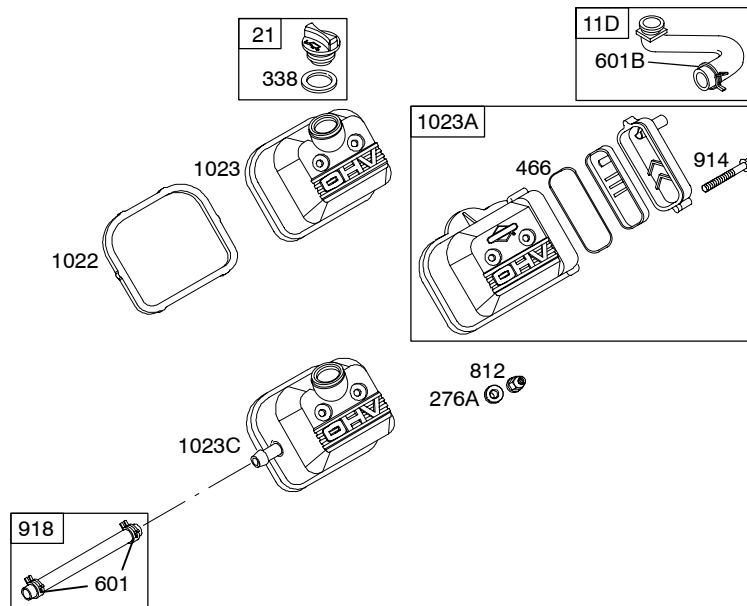
1019 LABEL KIT

1058 OWNER'S MANUAL

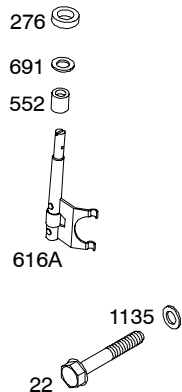
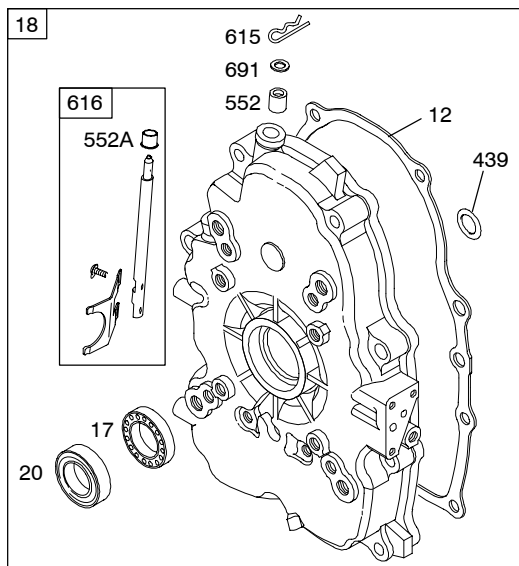
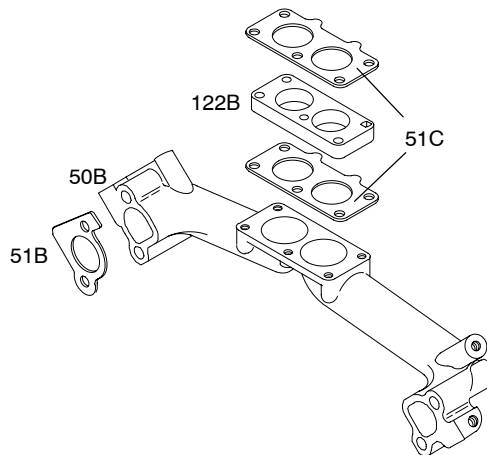
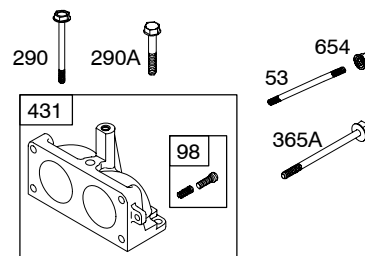
1330 REPAIR MANUAL



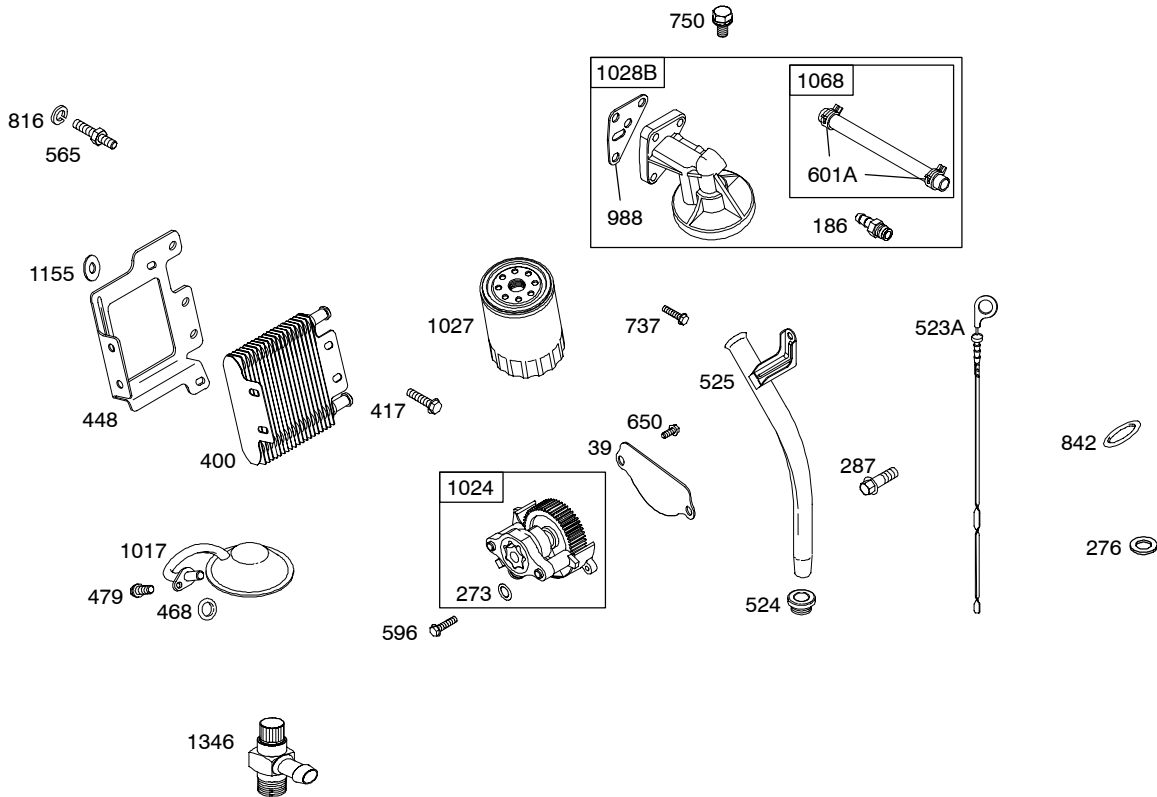
Illustrations cover a range of engines. Parts shown without corresponding text may not be used on your specific engine.



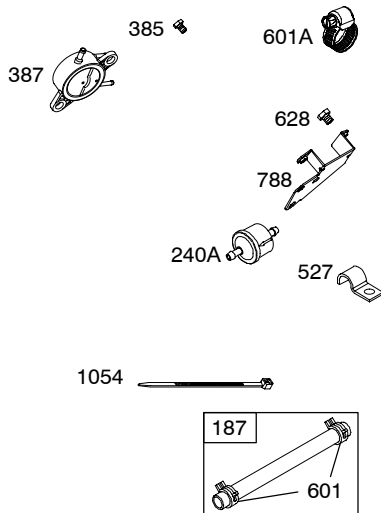
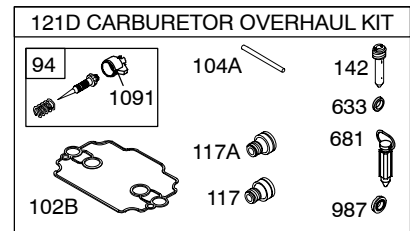
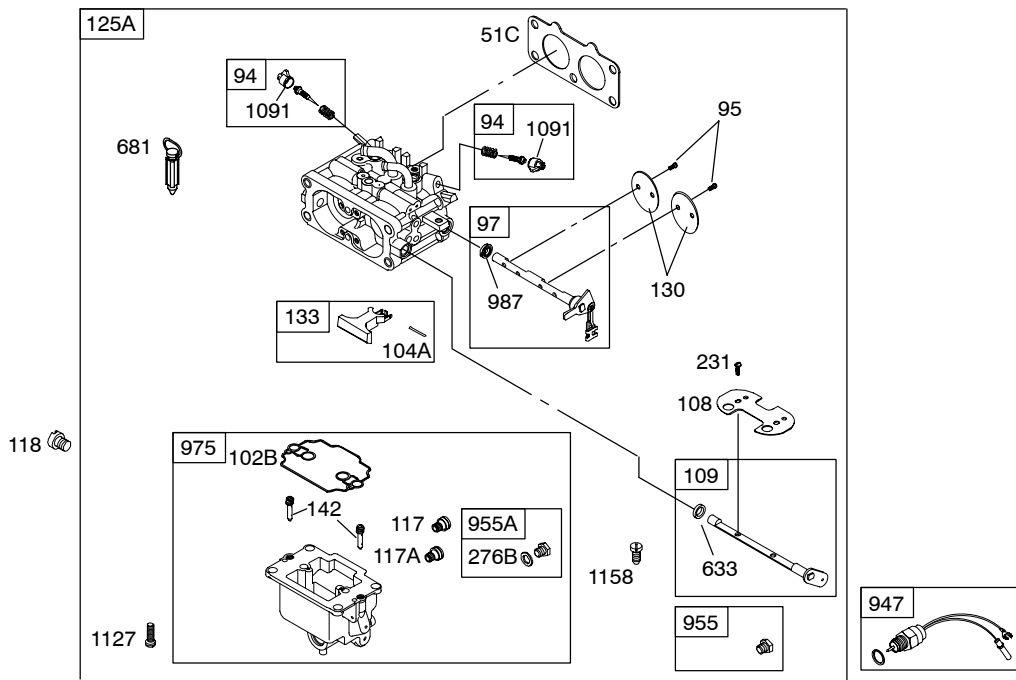
Illustrations cover a range of engines. Parts shown without corresponding text may not be used on your specific engine.



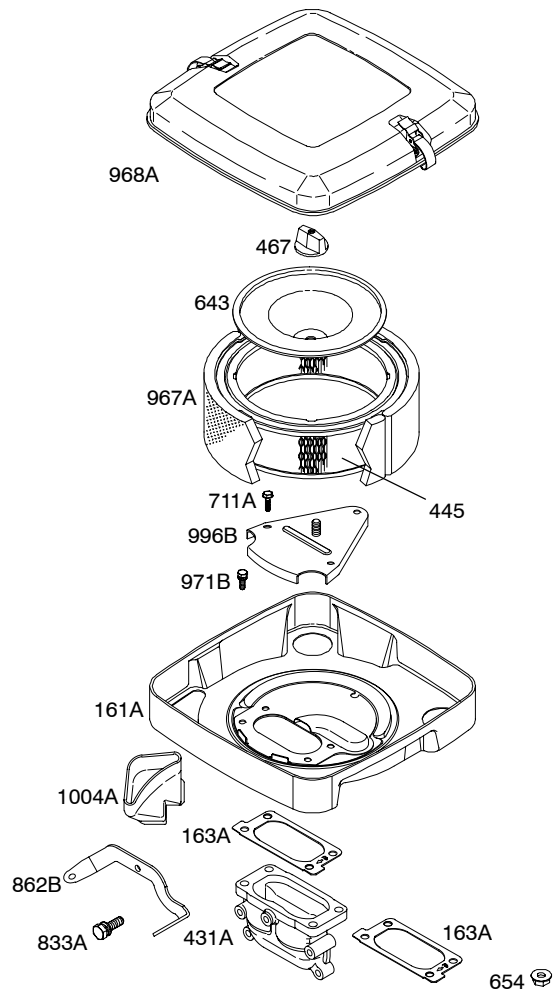
Illustrations cover a range of engines. Parts shown without corresponding text may not be used on your specific engine.



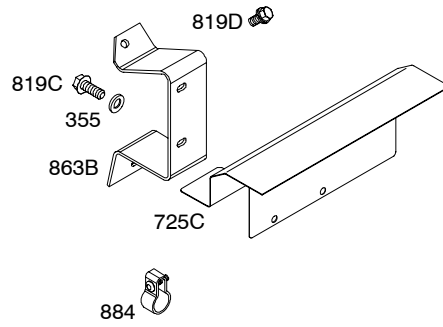
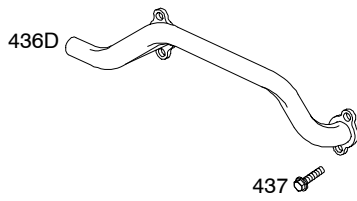
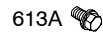
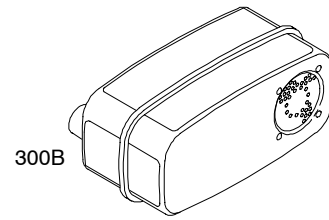
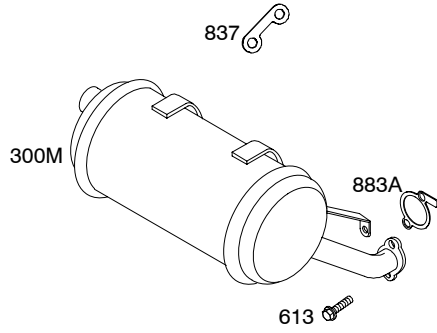
Illustrations cover a range of engines. Parts shown without corresponding text may not be used on your specific engine.

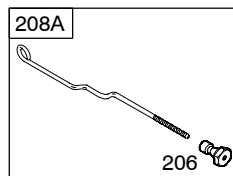
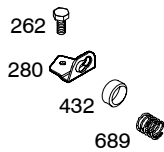
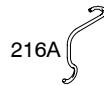
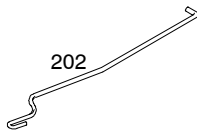
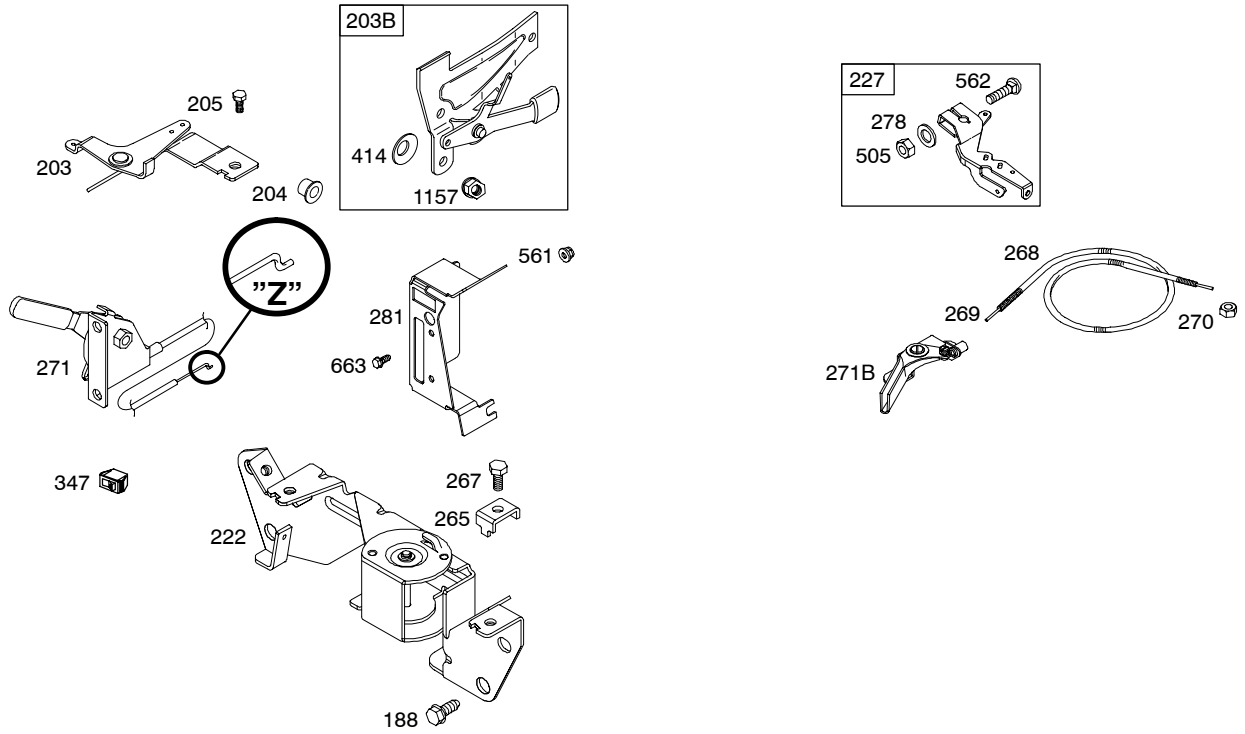


Illustrations cover a range of engines. Parts shown without corresponding text may not be used on your specific engine.

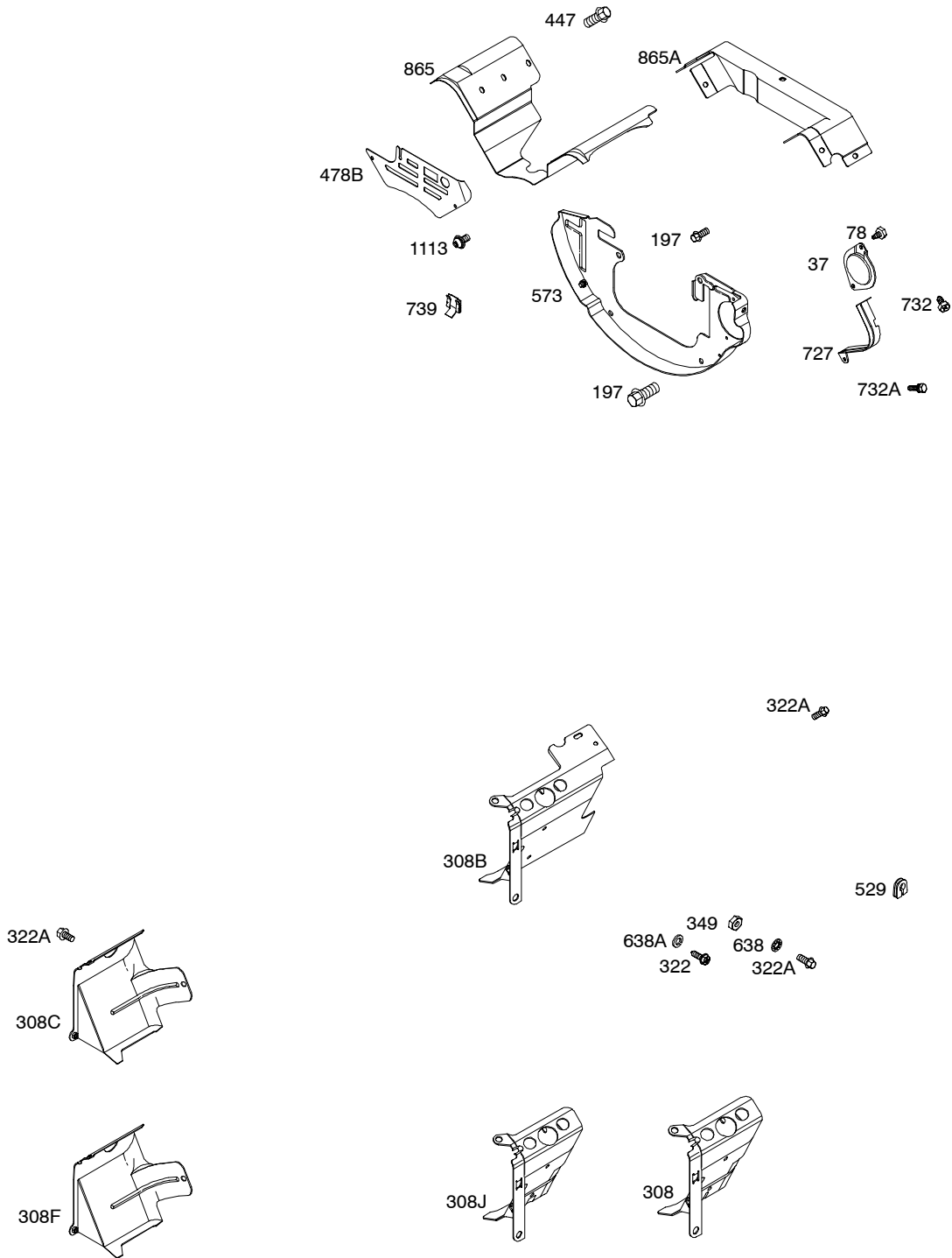


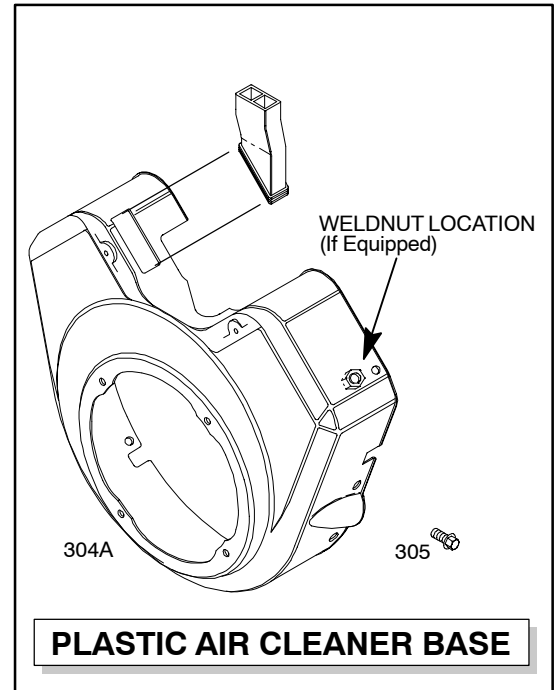
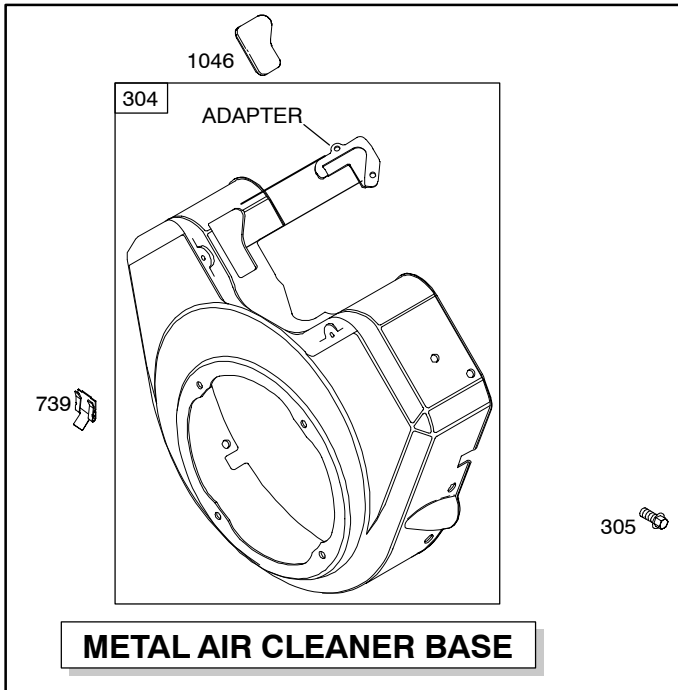
Illustrations cover a range of engines. Parts shown without corresponding text may not be used on your specific engine.





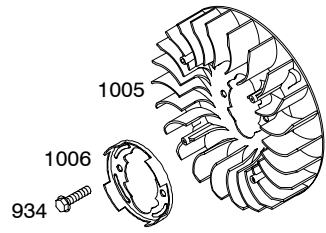
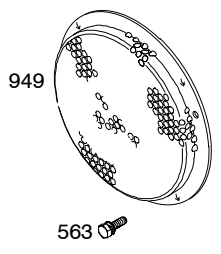
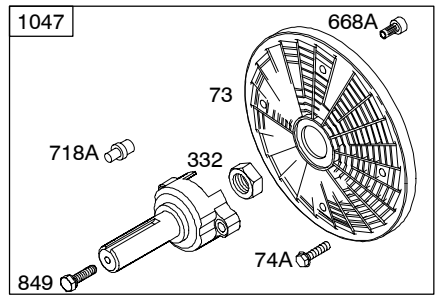
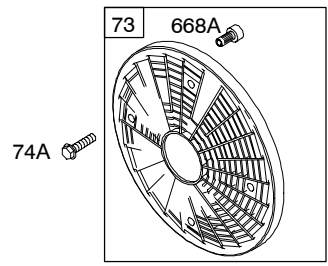
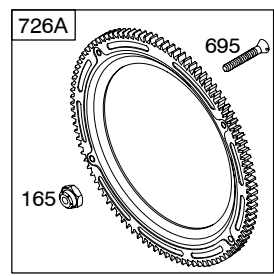
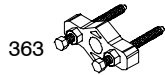
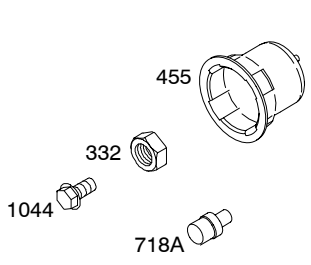
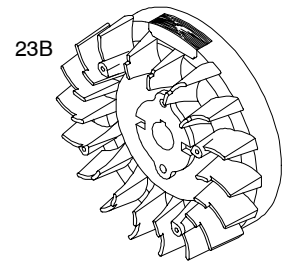
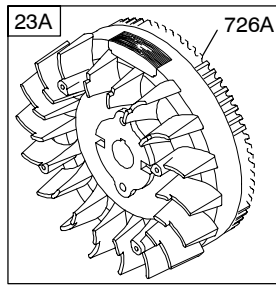
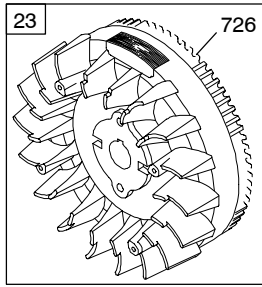
Illustrations cover a range of engines. Parts shown without corresponding text may not be used on your specific engine.



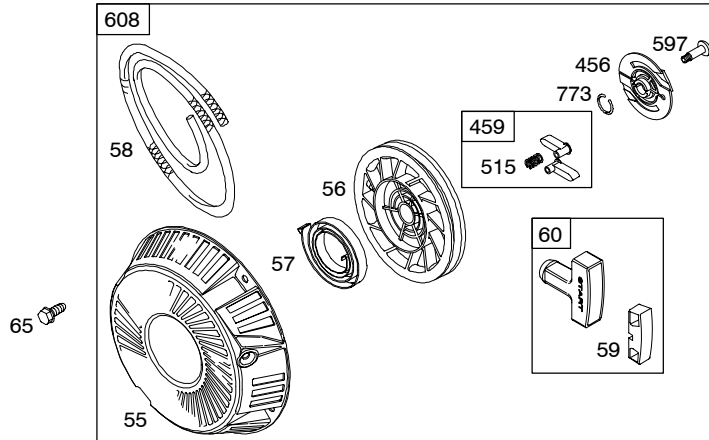


1036 EMISSIONS LABEL

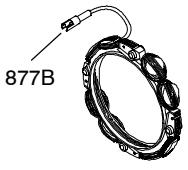
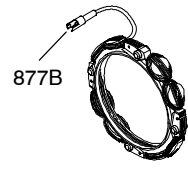
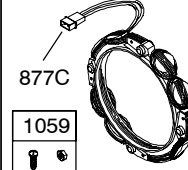
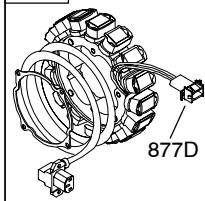
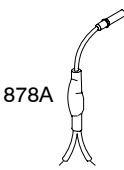
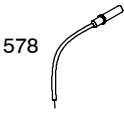
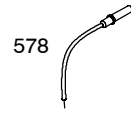
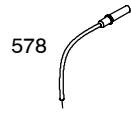

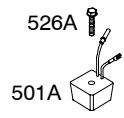
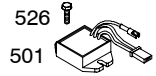

Illustrations cover a range of engines. Parts shown without corresponding text may not be used on your specific engine.

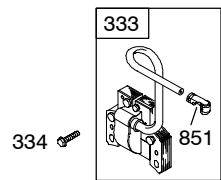
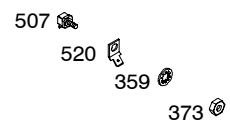
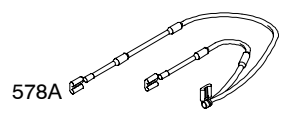
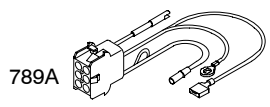
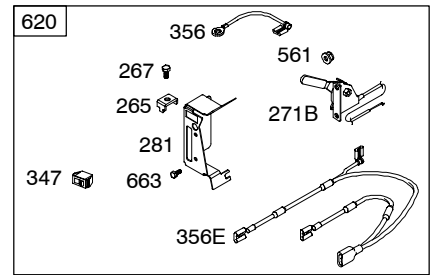
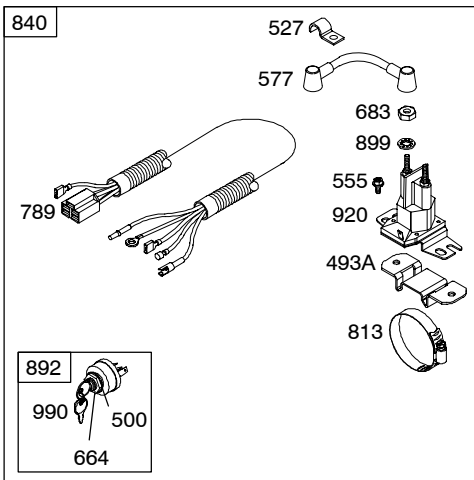


Illustrations cover a range of engines. Parts shown without corresponding text may not be used on your specific engine.

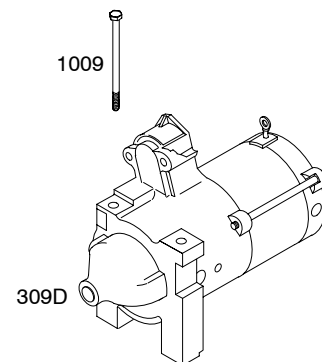
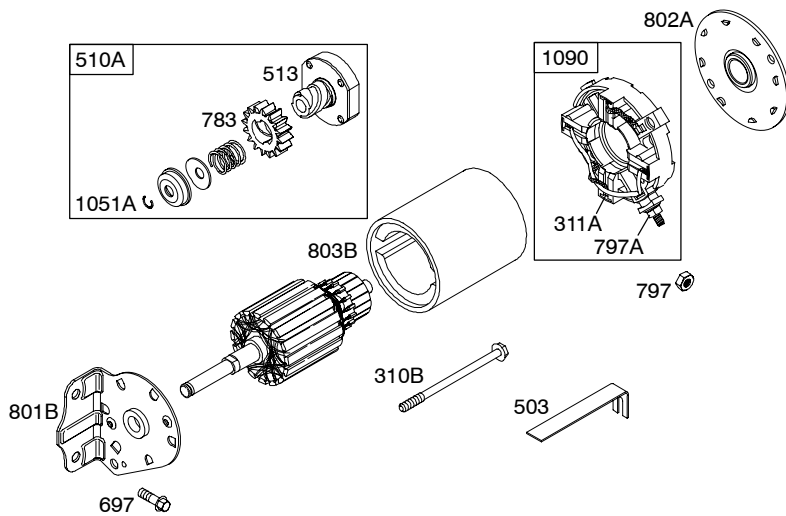
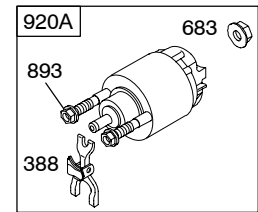
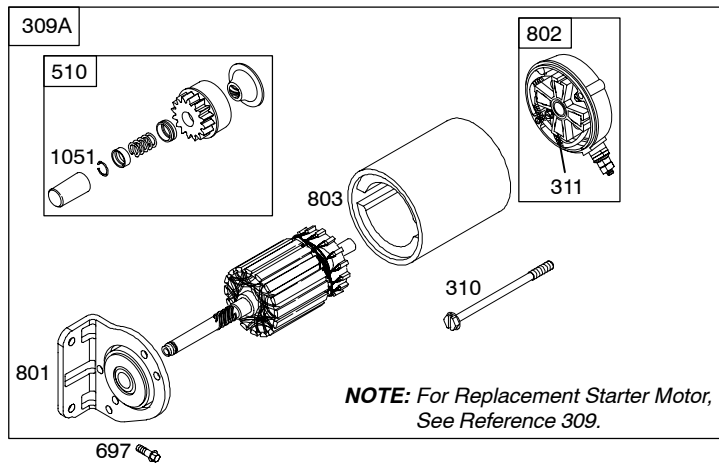
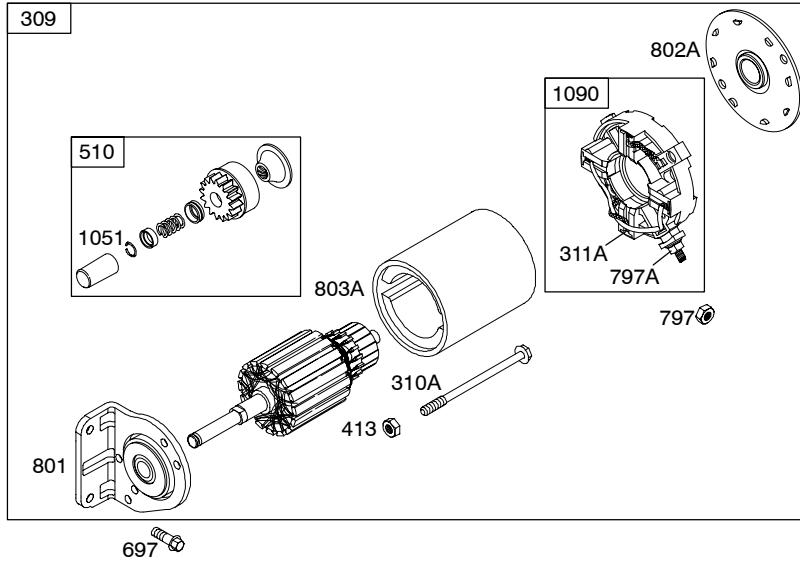


Illustrations cover a range of engines. Parts shown without corresponding text may not be used on your specific engine.

TRI CIRCUIT	5 - 9 AMP	10 - 16 AMP	20 AMP POWER LINK	
<div style="border: 1px solid black; padding: 2px; width: fit-content;">474C</div> 	<div style="border: 1px solid black; padding: 2px; width: fit-content;">474C</div> 	<div style="border: 1px solid black; padding: 2px; width: fit-content;">474D</div>  <div style="border: 1px solid black; padding: 2px; width: fit-content; margin-top: 5px;">1059</div>	<div style="border: 1px solid black; padding: 2px; width: fit-content;">474F</div> 	
				
<p>NOTE: All stators use a No. 1119 mounting screw. </p> <p>NOTE: The proper flywheel part number and/or the alternator magnet size will determine the alternator type or output. See repair instruction manual for additional information.</p>				



Illustrations cover a range of engines. Parts shown without corresponding text may not be used on your specific engine.



Illustrations cover a range of engines. Parts shown without corresponding text may not be used on your specific engine.

380400

REF. NO.	PART NO.	DESCRIPTION	REF. NO.	PART NO.	DESCRIPTION	REF. NO.	PART NO.	DESCRIPTION		
1	842602	Cylinder Assembly (Used After Code Date 05073100). ----- Note ----- 808650 Cylinder Assembly (Used Before Code Date 05080100). 842603 Cylinder Assembly (Used After Code Date 05073100). Used on Type No(s). 0174. 841184 Cylinder Assembly (Used Before Code Date 05080100). Used on Type No(s). 0174. 842619 Cylinder Assembly (Used After Code Date 05073100). Used on Type No(s). 0112, 0171. 809136 Cylinder Assembly (Used Before Code Date 05080100). Used on Type No(s). 0112, 0171.	15	690946	Plug-Oil Drain			692170 Crankshaft (Used Before Code Date 03050100). Used on Type No(s). 0076, 0077. 809844 Crankshaft Used on Type No(s). 0177, 0217.		
			16	809834	Crankshaft ----- Note ----- 691139 Crankshaft Used on Type No(s). 0024, 0048, 0075, 0100, 0101, 0102, 0136, 0137, 0143, 0151. 809845 Crankshaft (Used After Code Date 03043000). Used on Type No(s). 0065, 0079, 0116, 0125, 0126, 0130, 0131, 0141, 0144, 0146, 0155, 0174. 809842 Crankshaft (Used Before Code Date 03050100). Used on Type No(s). 0065, 0079, 0116, 0125, 0126, 0130, 0131, 0141, 0144, 0155, 0164. 809827 Crankshaft (Used After Code Date 03043000). Used on Type No(s). 0112, 0142. 693073 Crankshaft (Used Before Code Date 03050100). Used on Type No(s). 0112, 0142. 809813 Crankshaft (Used After Code Date 03043000). Used on Type No(s). 0042, 0078, 0129, 0139, 0161. 692173 Crankshaft Used on Type No(s). 0042, 0078, 0129, 0139, 0161. 809801 Crankshaft (Used After Code Date 03043000). Used on Type No(s). 0076, 0077.			17	690752	Bearing-Ball
						18	808849	Cover-Crankcase		
						20	★805049S	Seal-Oil (PTO Side)		
						22	807362	Screw (Crankcase Cover/Sump)		
						23	808768	Flywheel (Steel Ring Gear) ----- Note ----- 808776 Flywheel (Aluminum Ring Gear) Used on Type No(s). 0152. 841169 Flywheel Used on Type No(s). 0174.		
						23A	690921	Flywheel (Aluminum Ring Gear)		
						23B	690922	Flywheel (Rewind Starter) Used on Type No(s). 0102, 0130.		
						25	808527	Piston Assembly (Standard) ----- Note ----- 808652 Piston Assembly (.020" Oversize)		
2	808534	Kit-Bushing/Seal (Magneto Side)				26	808528	Ring Set (Standard) ----- Note ----- 808661 Ring Set (.020" Oversize)		
3	★805101S	Seal-Oil (Magneto Side)				27	806378	Lock-Piston Pin		
5	842656	Head-Cylinder (Cylinder 1)				28	808526	Pin-Piston		
5A	842657	Head-Cylinder (Cylinder 2)				29	808646	Rod-Connecting		
7	Δ★842622	Gasket-Cylinder Head				32	690698	Screw (Connecting Rod)		
11D	806379	Tube-Breather								
12	★842589	Gasket-Crankcase								
13	842618	Screw (Cylinder Head) (Used After Code Date 05073100). ----- Note ----- 806865 Screw (Cylinder Head) (Used Before Code Date 05080100).								

★ Included in Engine Gasket Set-Ref. No. 358C.

● Included in Carburetor Overhaul Kit-Ref. No. 121D.

Δ Included in Valve Gasket Set-Ref. No. 1095.

Illustrations cover a range of engines. Parts shown without corresponding text may not be used on your specific engine.

REF. NO.	PART NO.	DESCRIPTION	REF. NO.	PART NO.	DESCRIPTION	REF. NO.	PART NO.	DESCRIPTION
33	806419	Valve-Exhaust	104A	●690882	Pin-Float Hinge	187	791766	Line-Fuel
34	806420	Valve-Intake	108	690883	Valve-Choke			(Used After Code Date
35	692084	Spring-Valve (Intake)	109	808277	Shaft-Choke			05063000).
36	692084	Spring-Valve (Exhaust)	117	806438	Jet-Main (Standard) (Left or Cylinder 1)			----- Note -----
37	690715	Guard-Flywheel (Black)			----- Note -----			691050 Line-Fuel
39	690745	Deflector-Oil			690880 Jet-Main (Standard)	188	692056	Screw
40	692058	Retainer-Valve			Used on Type No(s).			(Control Bracket)
42	807683	Keeper-Valve			0158, 0164, 0177.	192	807623	Adjuster-Rocker Arm
45	690977	Tappet-Valve				197	841233	Screw
46	690927	Camshaft	117A	●806439	Jet-Main (Standard)			(Back Plate)
50B	806376	Manifold-Intake			(Right Or Cylinder 2)	202	691536	Link-Mechanical
51B	Δ★806418	Gasket-Intake (Manifold to Head)	118	693500	Jet-Main (High Altitude) (Right Or Cylinder 2)			Governor
51C	★690950	Gasket-Intake (Manifold To Carburetor)			----- Note -----	203	690923	Crank-Bell
53	690746	Stud (Carburetor)			841670 Jet-Main (High Altitude)	203B	808753	Crank-Bell
54	806444	Screw (Intake Manifold)			(Left or Cylinder 1)	204	692884	Bushing-Lever
55	691568	Housing-Rewind Starter			809685 Jet-Main (High Altitude)	205	692083	Screw
56	692085	Pulley-Starter			Used on Type No(s).			(Bell Crank)
57	692086	Spring-Rewind Starter			0158, 0164, 0177.	206	691244	Nut-Governor
58	66574	Rope-Starter (Cut To Required Length)	121D	808816	Kit-Carburetor Overhaul			Adjusting
59	805957	Insert-Grip	122B	690870	Spacer-Carburetor	208A	691549	Rod-Governor Control
60	808167	Grip-Starter Rope	125A	808626	Carburetor	209	692070	Spring-Governor
65	691982	Screw (Rewind Starter)			----- Note -----			----- Note -----
73	494439	Screen-Rotating (Flush)			809449 Carburetor Used on Type No(s).			692072 Spring-
74A	691647	Screw (Rotating Screen)	130	690884	Valve-Throttle			Governor
78	690688	Screw (Flywheel Guard)	133	808180	Float-Carburetor			Used on Type No(s).
94	●808257	Kit-Idle Mixture	142	●806375	Nozzle-Carburetor (Standard)			0151, 0163.
95	690718	Screw (Throttle Valve)	146	691639	Key-Timing			691507 Spring-
97	808182	Shaft-Throttle	161A	808655	Base-Air Cleaner (Metal)			Governor
98	841842	Kit-Idle Speed	163A	692087	Gasket-Air Cleaner			Used on Type No(s).
102B	●693711	Gasket-Carburetor Body	165	693148	Nut (Ring Gear)			0129, 0150, 0152, 0161.
			186	693184	Connector-Hose			690716 Spring-
								Governor
								Used on Type No(s).
								0142.

★ Included in Engine Gasket Set-Ref. No. 358C.

● Included in Carburetor Overhaul Kit-Ref. No. 121D.

Δ Included in Valve Gasket Set-Ref. No. 1095.

Illustrations cover a range of engines. Parts shown without corresponding text may not be used on your specific engine.

380400

REF. NO.	PART NO.	DESCRIPTION	REF. NO.	PART NO.	DESCRIPTION	REF. NO.	PART NO.	DESCRIPTION
211	692069	Spring-Governed Idle	276B	690724	Washer-Sealing	308	841232	Cover-Cylinder Head
211A	690707	Spring-Governed Idle Used on Type No(s). 0042, 0078, 0139, 0217.	278	842122	Washer (Governor Control Lever)			(Cylinder 1)(Black) ----- Note -----
		----- Note -----	280	691526	Bracket-Rod			841317 Cover-
		691504 Spring-	281	690742	Panel-Control			Cylinder Head
		Governed Idle	287	692062	Screw (Dipstick Tube)			(Cylinder 1)(Black)
		Used on Type No(s). 0129, 0150, 0152, 0161.	290	691537	Screw (Intake Elbow) (70mm Long)			Used on Type No(s). 0144, 0153, 0165, 0175.
216A	691542	Link-Choke			----- Note -----			841316 Cover-
222	808454	Bracket-Control			690866 Screw			Cylinder Head
227	690236	Lever-Governor Control			(Intake Elbow)			(Used After Code Date 03103100).
			290A	691492	Screw (Intake Elbow) (30mm Long)			Used on Type No(s). 0144, 0153, 0165, 0175.
231	690718	Screw (Choke Valve)			300B 498984S			308B 806544
232A	691538	Spring-Governor Link			Muffler			Cover-Cylinder Head
239	690233	Switch-Oil Pressure			Used on Type No(s). 0151, 0163.			(Cylinder 2)
240A	691035	Filter-Fuel			300C 807752			Used on Type No(s). 0112.
262	692083	Screw (Rod Bracket)			Muffler			----- Note -----
265	691024	Clamp-Casing			Used on Type No(s). 0153, 0165, 0175. (Low Mount)			806544 Cover-
267	692083	Screw (Casing Clamp)			300M 808705			Cylinder Head
268	691025	Casing-Control Wire (Cut To Required Length)			Muffler			(Cylinder 2)
269	691026	Wire-Control (Cut To Required Length)			----- Note -----			(Used Before Code Date 03110100).
270	691027	Nut (Control Wire Casing)			808896 Muffler			Used on Type No(s). 0144, 0153, 0165.
271	692541	Lever-Control	304	808658	Housing-Blower (Red)			308C 806546
271B	691028	Lever-Control			Used on Type No(s). 0136, 0154, 0158, 0164, 0174, 0177.			Cover-Cylinder Head
273	★690681	Seal-O Ring (Oil Pump)	304A	808651	Housing-Blower (Black)			(Cylinder 2)(Black)
276	★Δ690704	Washer-Sealing (Governor Crank)			Used on Type No(s). 0048, 0112, 0131, 0139, 0141, 0174.			(Cylinder 1)(Black)
276A	★Δ807085	Washer-Sealing (Rocker Cover) (Used After Code Date 01120200).	305	692056	Screw (Blower Housing) (14mm)			Used on Type No(s). 0174.
		----- Note -----						
		691766 Washer-						
		Sealing (Rocker Cover) (Used Before Code Date 01120300).						

★ Included in Engine Gasket Set-Ref. No. 358C.

● Included in Carburetor Overhaul Kit-Ref. No. 121D.

Δ Included in Valve Gasket Set-Ref. No. 1095.

Illustrations cover a range of engines. Parts shown without corresponding text may not be used on your specific engine.

REF. NO.	PART NO.	DESCRIPTION	REF. NO.	PART NO.	DESCRIPTION	REF. NO.	PART NO.	DESCRIPTION	
309	691564	Motor-Starter (Services Steel Ring Gear Only)	337	491055S	Plug-Spark ----- Note -----	385	807084	Screw (Fuel Pump)	
309A		Motor-Starter (Services Steel Ring Gear Only)(For Replacement Starter Motor, See Reference 309)		792015	Plug-Spark Used on Type No(s). 0042, 0048, 0065, 0075, 0076, 0077, 0078, 0079, 0101, 0112, 0116, 0125, 0126, 0129, 0130, 0136, 0137, 0143, 0144, 0150, 0151, 0152, 0153, 0154, 0155, 0158, 0161, 0163, 0164, 0165, 0171, 0173, 0174, 0175, 0177, 0217.	387	808656	Pump-Fuel	
309D	808817	Motor-Starter Used on Type No(s). 0112, 0171.		338	691312	Gasket-Dipstick	388	820799	Lever-Pinion Drive
310	496880	Screw (Starter Motor) (4 1/4" Long)		347	691995	Switch-Rocker	400	808657	Cooler-Oil
310A	690323	Screw (Starter Motor) (4 7/16" Long)		349	690238	Nut (Cylinder Head Cover)	413	693587	Nut (Starter Motor)
310B	691263	Screw (Starter Motor) (4 13/16" Long)		355	842122	Washer (Muffler Bracket)	414	690344	Washer (Bell Crank)
311	496887	Brush Set		356	807063	Wire-Stop Used on Type No(s). 0112.	415	690283	Plug
311A	497608	Brush Set					417	810074	Screw (Oil Cooler)
322	841233	Screw (Cylinder Head Cover)					431	808659	Elbow-Intake
322A	692067	Screw (Cylinder Head Cover)					431A	691534	Elbow-Intake
332	690887	Nut (Flywheel)					432	691509	Cap-Spring
333	492341	Armature-Magneto					436D	808908	Manifold-Exhaust Used on Type No(s). 0163.
334	692066	Screw (Magneto Armature) ----- Note ----- 691552 Screw (Magneto Armature) Used on Type No(s). 0152.	356E	691999	Wire-Stop		437	691902	Screw (Exhaust Manifold)
			357	691483	Key-Drive Pulley		439	★692154	Seal-O Ring (Crankcase Cover/Sump)
			358C	842658	Gasket Set-Engine		445	692519	Filter-Air Cleaner Cartridge
			359	691077	Washer (Ground Terminal)		447	841233	Screw (Air Guide Cover)
			363	19203	Puller-Flywheel		448	806423	Bracket-Oil Cooler
			365A	690866	Screw (Carburetor)		455	690864	Cup-Flywheel
			373	691612	Nut (Ground Terminal)		456	691529	Plate-Pawl Friction
			377	808095	Key-Woodruff		459	808166	Pawl-Ratchet
			383	19374S	Wrench-Spark Plug		466	806466	Seal-O Ring (Breather Assembly)
							467	691985	Knob-Air Cleaner
							468	★690690	Seal-O Ring (Oil Pump Screen)
							474C	696578	Alternator Used on Type No(s). 0152, 0161. (Tri Circuit)
							474D	696458	Alternator (10-16 Amp Regulated)
							474F	841178	Alternator (20 Amp) Used on Type No(s). 0174.

★ Included in Engine Gasket Set-Ref. No. 358C.

● Included in Carburetor Overhaul Kit-Ref. No. 121D.

△ Included in Valve Gasket Set-Ref. No. 1095.

Illustrations cover a range of engines. Parts shown without corresponding text may not be used on your specific engine.

380400

REF. NO.	PART NO.	DESCRIPTION	REF. NO.	PART NO.	DESCRIPTION	REF. NO.	PART NO.	DESCRIPTION	
478B	691533	Panel	527	690423	Clamp-Tube	597	690876	Screw	
479	692537	Screw (Oil Pump Screen) (16mm Long)	529	690744	Grommet			(Pawl Friction Plate)	
		----- Note -----	552	690701	Bushing-Governor Crank (Output End)	598	807625	Shim-End Play (Crankshaft or Camshaft Bearing)	
		807084 Screw (Oil Pump Screen) (M6X14)	552A	806686	Bushing-Governor Crank (Flanged)	601	791850	Clamp-Hose	
493A	691177	Bracket-Mounting (Solenoid)	555	692067	Screw (Starter Solenoid)	601A	841502	Clamp-Hose Used on Type No(s). 0177, 0217.	
500	691086	Washer (Key Switch)	561	690713	Nut (Control Lever)	601B	691145	Clamp-Hose	
501	691185	Regulator (10-16 Amp Regulated)	562	690239	Bolt (Governor Control Lever)	608	692102	Starter-Rewind	
501A	691188	Regulator Used on Type No(s). 0161.	563	691982	Screw (Debris Screen Guard)	613	691902	Screw (Muffler)	
501B	841170	Regulator (20 Amp) Used on Type No(s). 0174.	565	690682	Stud (Oil Filter Adapter)			----- Note -----	
503	691532	Strap-Starter	573	841310	Plate-Back ----- Note -----	613A	690297	Screw (Muffler)	
505	690238	Nut (Governor Control Lever)			693045 Plate-Back Used on Type No(s). 0112, 0171.	615	691550	Retainer-Governor Shaft	
507	691972	Insulator			841314 Plate-Back Used on Type No(s). 0174.	616	806685	Crank-Governor (Used After Code Date 99072000).	
510	496881	Drive-Starter	577	690795	Cable-Starter	616A	690899	Crank-Governor (Used Before Code Date 99072100).	
510A	696541	Drive-Starter	578	692306	Wire Assembly (1 Wire, 48-1/2" Long)(Snap Connect Female Pin Socket, And Bare Wire End) Used on Type No(s). 0150, 0152, 0154, 0158, 0166.	620	494052	Panel-Speed Control	
513	692024	Clutch-Drive			578A	692319	Wire Assembly		
515	691528	Spring-Pawl	596	691492	Screw (Oil Pump)	628	806660	Screw (Fuel Pump Bracket)	
520	691084	Terminal-Ground					633	690722	Seal-Choke/Throttle Shaft
522	491832	Plug-Dipstick/Fill Dipstick					635	692076	Boot-Spark Plug
523A	693175	Dipstick					638	691551	Washer (Cylinder Head Cover) (Used Before Code Date 03110100).
524	693172	Seal-Dipstick Tube					638A	690706	Washer (Cylinder Head Cover)
525	693174	Tube-Dipstick					643	692079	Retainer-Air Filter
526	692067	Screw (Regulator)(10-16 Amp Regulated)							
526A	690717	Screw (Regulator)(5 To 9 Amp Regulated) Used on Type No(s). 0161.							
526B	691547	Screw (Regulator)(20 Amp) Used on Type No(s). 0174.							

★ Included in Engine Gasket Set-Ref. No. 358C.

● Included in Carburetor Overhaul Kit-Ref. No. 121D.

△ Included in Valve Gasket Set-Ref. No. 1095.

Illustrations cover a range of engines. Parts shown without corresponding text may not be used on your specific engine.

REF. NO.	PART NO.	DESCRIPTION	REF. NO.	PART NO.	DESCRIPTION	REF. NO.	PART NO.	DESCRIPTION
650	841233	Screw (Oil Deflector) ----- Note ----- 691982 Screw (Oil Deflector) Used on Type No(s). 0153, 0165, 0175.	732	690688	Screw (Starter Drive Cover)	816	690706	Washer (Oil Filter Adapter)
654	690939	Nut (Carburetor)	732A	841233	Screw (Starter Drive Cover)	819C	692537	Screw (Muffler Bracket)
663	692083	Screw (Control Panel)	737	690679	Screw (Oil Filter Adapter)	819D	692062	Screw (Muffler Bracket)
664	691087	Nut (Key Switch)	739	690451	Clip-Debris	830	809157	Stud-Rocker Arm
668A	691500	Spacer	741	691530	Gear-Timing	833A	807084	Screw (Air Cleaner Mounting Strap/Stud)
681	●808798	Kit-Needle/Seat	750	841233	Screw (Oil Pump Cover)	837	808085	Spacer-Muffler
683	691029	Nut (Starter Solenoid) ----- Note ----- 820813 Nut (Starter Solenoid) Used on Type No(s). 0112, 0171.	773	690875	Retainer	840	842828	Kit-Panel (Used After Code Date 06011800)
689	691272	Spring-Friction	783	695708	Gear-Pinion (Services Aluminum Ring Gear Only)	842	690611	Seal-O Ring (Dipstick Tube)
691	690680	Seal-Governor Shaft	788	691559	Bracket-Fuel Pump	849	691088	Screw (Stub Shaft)
695	693109	Screw (Ring Gear)	789	691996	Harness-Wiring ----- Note ----- 841318 Harness- Wiring Used on Type No(s). 0171.	851	493880S	Terminal-Spark Plug
697	692062	Screw (Drive Cap)	789A	698332	Harness-Wiring Used on Type No(s). 0112.	862B	691539	Strap/Stud-Air Cleaner Mounting
711A	841233	Screw (Carburetor Shield)	797	691029	Nut (Brush Retainer)	863B	805610	Bracket-Muffler
718	806469	Pin-Locating	797A	693167	Nut (Brush Retainer)	865	841312	Cover-Air Guide (Valley)(Black)
718A	690740	Pin-Locating Used on Type No(s). 0112.	801	808778	Cap-Drive	865A	841319	Cover-Air Guide
725C	806102	Shield-Heat	801B	691283	Cap-Drive	868	△691963	Seal-Valve
726		Gear-Ring (Steel)(See Reference 23 for Service)	802	496813	Cap-End	871	692057	Bushing-Valve Guide
726A	807805	Gear-Ring (Aluminum)	802A	691286	Cap-End	877B	393537	Wire/Connector- Alternator
727	841313	Cover-Starter Drive	803	690854	Housing-Starter	877C	399916	Wire/Connector- Alternator (2 Wires, 7-53/64" Long)(2 Bare Wire Ends, And Insulated Snap Connect Male Pin Terminal)
729	690586	Clip-Wire	803A	693547	Housing-Starter (Serviced By 691564 Starter Motor Only)	877D	698092	Wire/Connector- Alternator
			803B					
			812	△692055	Nut (Rocker Cover) (Used Before Code Date 01120300).			
			813	690635	Clamp			

★ Included in Engine Gasket Set-Ref. No. 358C.

● Included in Carburetor Overhaul Kit-Ref. No. 121D.

△ Included in Valve Gasket Set-Ref. No. 1095.

Illustrations cover a range of engines. Parts shown without corresponding text may not be used on your specific engine.

380400

REF. NO.	PART NO.	DESCRIPTION	REF. NO.	PART NO.	DESCRIPTION	REF. NO.	PART NO.	DESCRIPTION
878A	691955	Harness-Alternator (Tri Circuit)	1006	690452	Retainer-Fan	1090	691293	Retainer-Brush
883A	★△806425	Gasket-Exhaust	1009	806474	Screw (Starter Motor)	1091	●691516	Cap-Limiter
884	690853	Clamp-Muffler	1017	690900	Screen-Oil Pump	1095	842659	Gasket Set-Valve
884A	691956	Clamp-Muffler	1019	841626	Kit-Label	1100	791959	Pivot-Rocker Arm
892	692318	Switch-Key	1022	★△806039S	Gasket-Rocker Cover	1113	690677	Screw (Panel)
893	820809	Nut (Starter Solenoid)	1023	690758	Cover-Rocker	1119	691552	Screw (Alternator)
899	691077	Washer (Starter Solenoid)	1023A	808648	Cover-Rocker (Includes Breather Assembly)	1127	690885	Screw (Float Bowl)
914	806421	Screw (Rocker Cover)	1023C	690910	Cover-Rocker	1133	690342	Screw (Crankshaft)
918	393815	Hose-Vacuum (Cut To Required Length)	1024	693185	Pump-Oil	1135	806497	Washer (Crankcase Cover/Sump)
920	691656	Solenoid-Starter	1025	690689	Spool-Governor	1155	806647	Washer (Oil Cooler)
920A	825418	Solenoid-Starter	1026	691836	Rod-Push (Intake)(Steel)	1157	806447	Nut (Bell Crank)
934	691058	Screw (Fan Retainer)			----- Note ----- 691758 Rod-Push (Exhaust)(Aluminum)	1158	807468	Screw (Carburetor Plug)
947	808624	Solenoid-Fuel	1027	492932S	Filter-Oil	1254	807084	Screw (Rocker Cover Stud) (Used After Code Date 01120200).
949	690475	Guard-Debris Screen	1028B	808537	Adapter-Oil Filter	1330	272144	Repair Manual
955	808176	Plug-Carburetor (Solenoid)	1029	807323	Arm-Rocker	1346	492031	Valve-Oil Drain Shut Off
955A	807723	Plug-Carburetor (Jet)	1036		Label-Emissions (Available from an Authorized Briggs & Stratton Service Dealer)			
967A	692520	Filter-Pre Cleaner	1044	692056	Screw (Flywheel)			
968A	808654	Cover-Air Cleaner	1046	841165	Plug-Blower Housing			
971B	691492	Screw (Air Cleaner Base to Carburetor)	1047	841580	Shaft-Stub			
975	841160	Bowl-Float	1051	691124	Ring-Retaining			
987	●691000	Seal-Throttle Shaft	1051A	691265	Ring-Retaining			
988	★692063	Gasket-Oil Adapter	1054	280275	Tie-Cable			
990	691959	Key Set	1058	276343	Operator's Manual			
996B	690917	Shield-Carburetor	1068	841999	Hose/Clamp Assembly (Cut To Required Length)			
1004A	806422	Duct-Air						
1005	809441	Fan-Flywheel (Used After Code Date 03043000). ----- Note ----- 690911 Fan-Flywheel (Used Before Code Date 03050100).						

★ Included in Engine Gasket Set-Ref. No. 358C.

● Included in Carburetor Overhaul Kit-Ref. No. 121D.

△ Included in Valve Gasket Set-Ref. No. 1095.

Illustrations cover a range of engines. Parts shown without corresponding text may not be used on your specific engine.