



Illustrated Parts List

Model Series

138400

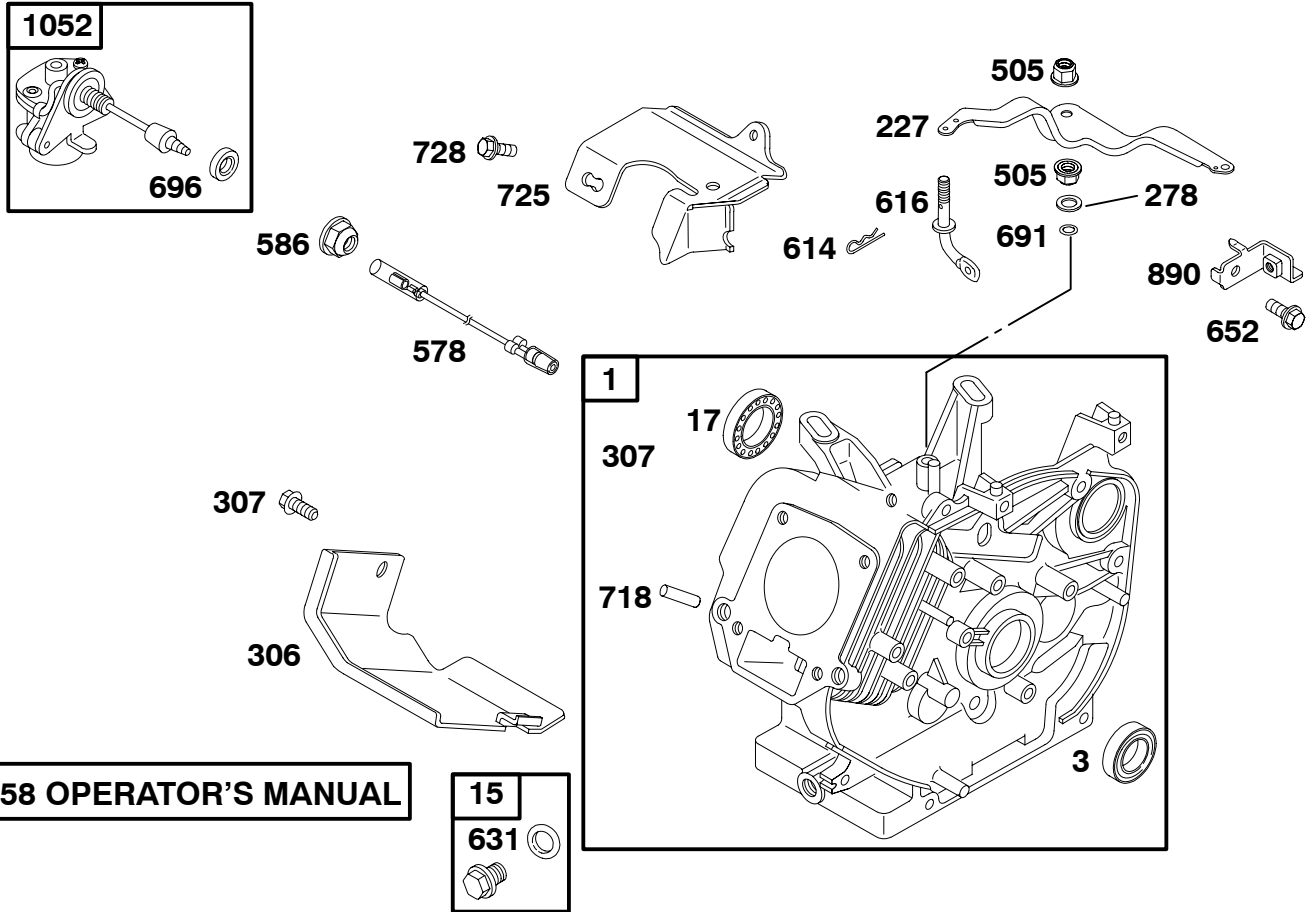
TYPE NUMBERS
0035 THROUGH 0239.

TABLE OF CONTENTS

| | |
|-------------------------------------|--------|
| Air Cleaner | 8 |
| Alternator | 13 |
| Blower Housing | 12 |
| Camshaft | 5 |
| Carburetor | 6 |
| Controls | 7 |
| Control Panel | 12, 14 |
| Crankcase Cover | 3 |
| Crankshaft | 5 |
| Cylinder | 2 |
| Cylinder Head | 4 |
| Electric Starter | 16 |
| Exhaust System | 9, 10 |
| Flywheel | 13 |
| Fuel System | 11 |
| Gasket Set - Engine | 17 |
| Gasket Set - Valve | 17 |
| Governor Spring | 7 |
| Ignition | 12, 13 |
| Kits -Carburetor Overhaul | 17 |
| Lubrication | 3 |
| Oil Sensor Group | 2 |
| Piston, Rings, Connecting Rod | 5 |
| Rewind Starter | 15 |
| Valves | 4 |



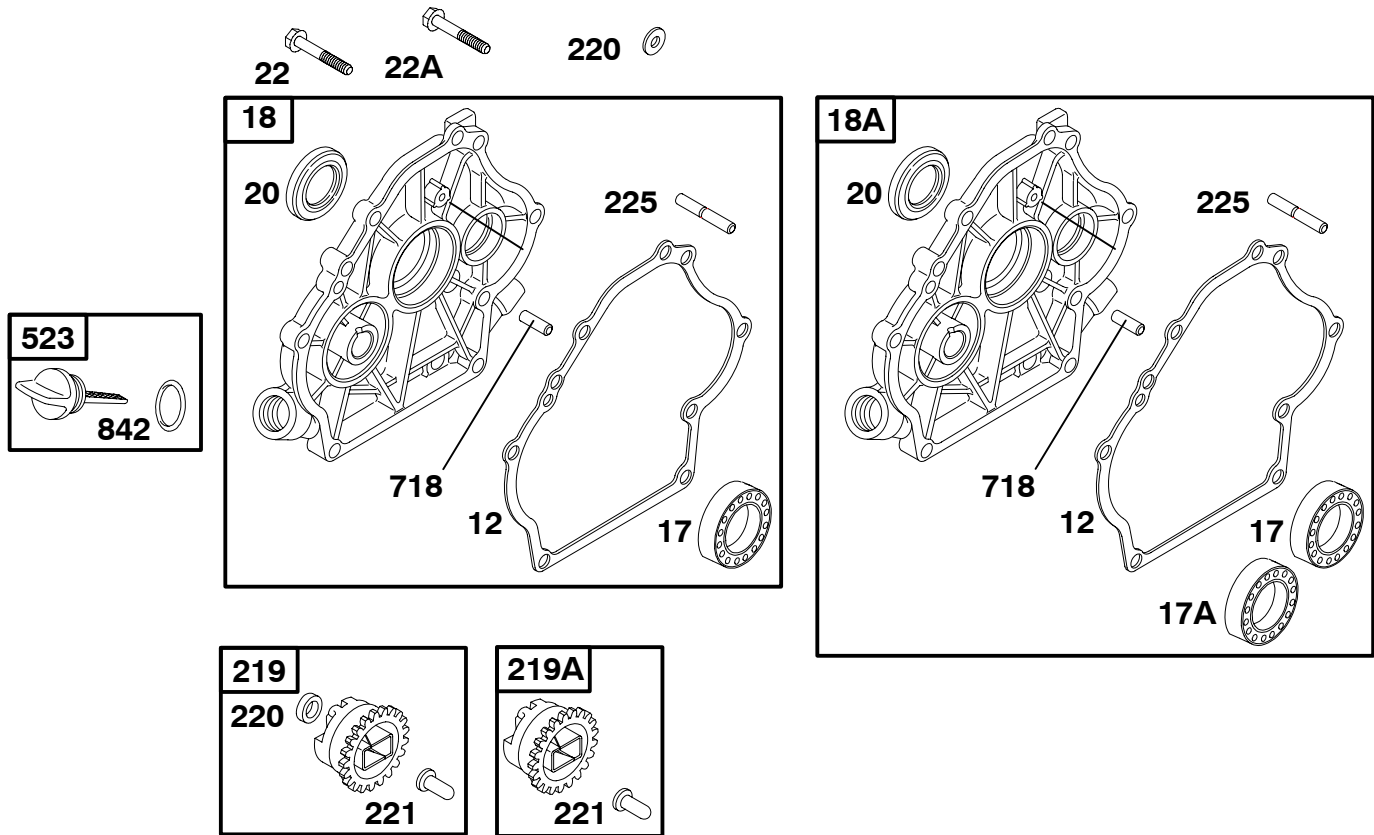
COPYRIGHT by BRIGGS & STRATTON CORPORATION
All rights reserved. No part of this material may be reproduced or transmitted, in any form or by any means, electronic or mechanical, including photocopying, recording or by any information storage and retrieval system, without permission in writing from Briggs & Stratton Corporation.



| REF. NO. | PART NO. | DESCRIPTION | REF. NO. | PART NO. | DESCRIPTION | REF. NO. | PART NO. | DESCRIPTION |
|----------|----------|--|----------|----------|---------------------------------|----------|----------|--------------------------|
| 1 | 715461 | Cylinder Assembly ----- Note ----- 715462 Cylinder Assembly Used on Type No(s). 0084, 0127, 0155, 0169, 0284. 715528 Cylinder Assembly Used on Type No(s). 0120, 0131, 0133, 0141, 0144, 0147, 0152, 0153, 0157, 0160. | 15 | 715000 | Plug-Oil Drain | 614 | 710056 | Pin-Cotter |
| | | | 17 | 710003 | Bearing-Ball | 616 | 710636 | Crank-Governor |
| | | | 227 | 710051 | Lever-Governor Control | 631 | ★710004 | Washer (Oil Drain Plug) |
| | | | 278 | 710058 | Washer (Governor Control Lever) | 652 | 710023 | Screw (Support Bracket) |
| | | | 306 | 710063 | Shield-Cylinder | 691 | ★710055 | Seal-Governor Shaft |
| | | | 307 | 710023 | Screw (Cylinder Shield) | 696 | ★710091 | O-Ring Seal (Oil Sensor) |
| | | | 505 | 710059 | Nut (Governor Control Lever) | 718 | 710005 | Pin-Locating |
| | | | 578 | 710308 | Wire Assembly (Oil Sensor) | 725 | 710102 | Shield-Heat |
| | | | 586 | 710090 | Nut (Oil Sensor) | 728 | 710023 | Screw (Heat Shield) |
| | | | | | | 890 | 715136 | Bracket-Support |
| 3 | ★710000 | Seal-Oil (Magneto Side) | | | | 1052 | 715353 | Sensor-Oil |
| | | | | | | 1058 | MS6669 | Owner's Manual |

● Included in Carburetor Overhaul Kit-Ref. No. 121.
★ Included in Engine Gasket Set-Ref. No. 358.

◆ Included in Carburetor Gasket Set-Ref. No. 977.
△ Included in Valve Gasket Set-Ref. No. 1095.

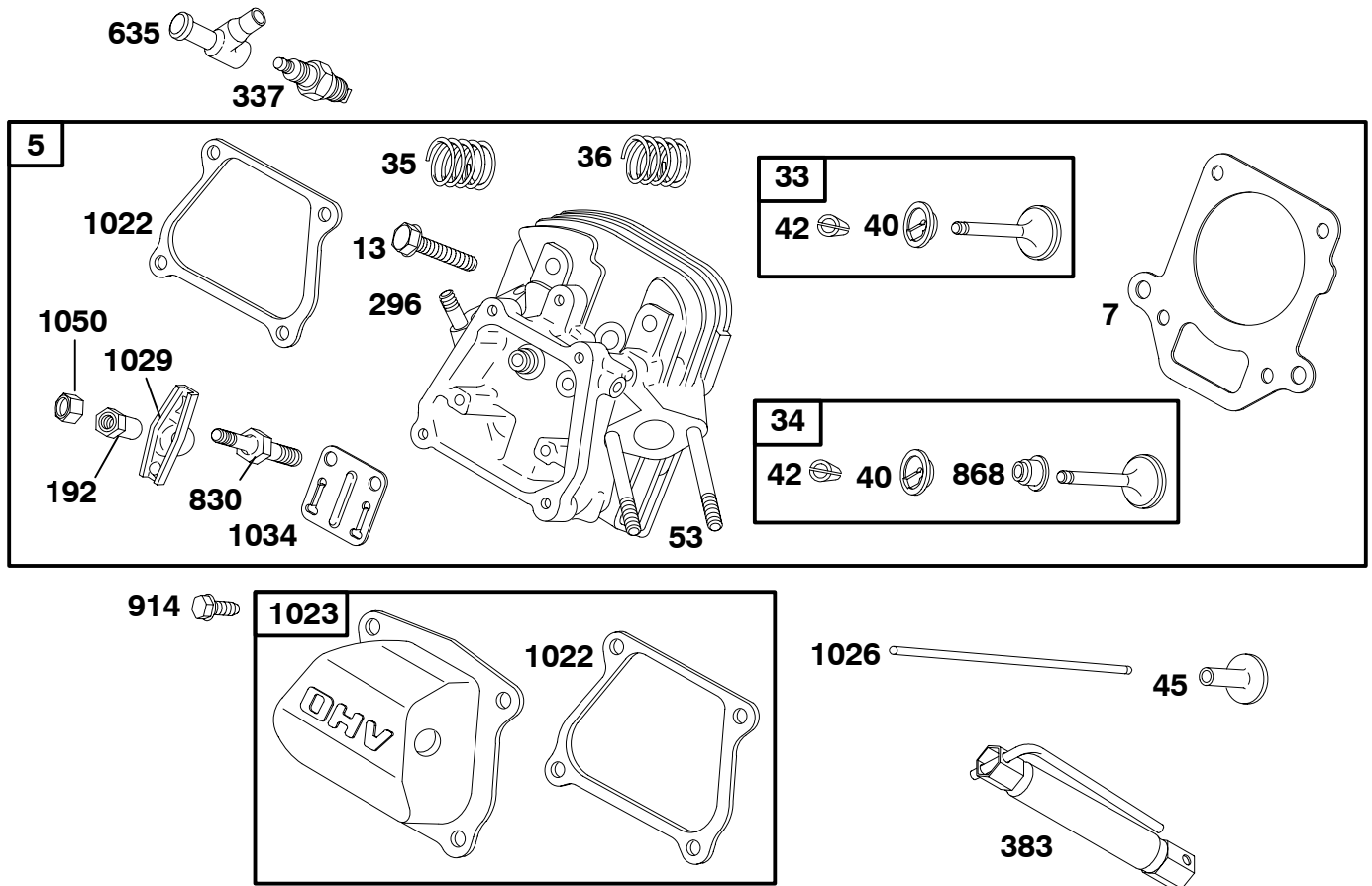


| REF. NO. | PART NO. | DESCRIPTION | REF. NO. | PART NO. | DESCRIPTION | REF. NO. | PART NO. | DESCRIPTION |
|----------|----------|---|----------|----------|---|----------|----------|---|
| 12 | ★710628 | Gasket-Crankcase | 20 | ★710215 | Seal-Oil (PTO Side) | 219 | 715696 | Gear-Governor (Used After Code Date 99073100). |
| 17 | 710003 | Bearing-Ball | | | ----- Note ----- | 219A | 715341 | Gear-Governor (Used Before Code Date 99080100). |
| 17A | 710790 | Bearing-Ball | | | ★710788 Seal-Oil (PTO Side) | 220 | 710035 | Washer (Governor Gear) |
| | | Used on Type No(s). 0131, 0132, 0144, 0145, 0152, 0160, 0169, | | | Used on Type No(s). 0131, 0132, 0144, 0145, 0152, 0160, 0169, | 221 | 710027 | Cup-Governor |
| 18 | 715463 | Cover-Crankcase | 22 | 710032 | Screw (Crankcase Cover/Sump)(Qty. 8) | 225 | 710028 | Shaft-Governor Gear |
| 18A | 715597 | Cover-Crankcase (Includes 710790 Ball Bearing) | 22A | 710306 | Screw (Crankcase Cover/Sump)(Qty. 1) | 523 | 715588 | Dipstick |
| | | Used on Type No(s). 0131, 0132, 0144, 0145, 0152, 0160, 0169 | | | | 718 | 710005 | Pin-Locating |
| | | | | | | 842 | ★710029 | O-Ring Seal (Dipstick) |

● Included in Carburetor Overhaul Kit-Ref. No. 121.
 ★ Included in Engine Gasket Set-Ref. No. 358.

◆ Included in Carburetor Gasket Set-Ref. No. 977.
 △ Included in Valve Gasket Set-Ref. No. 1095.

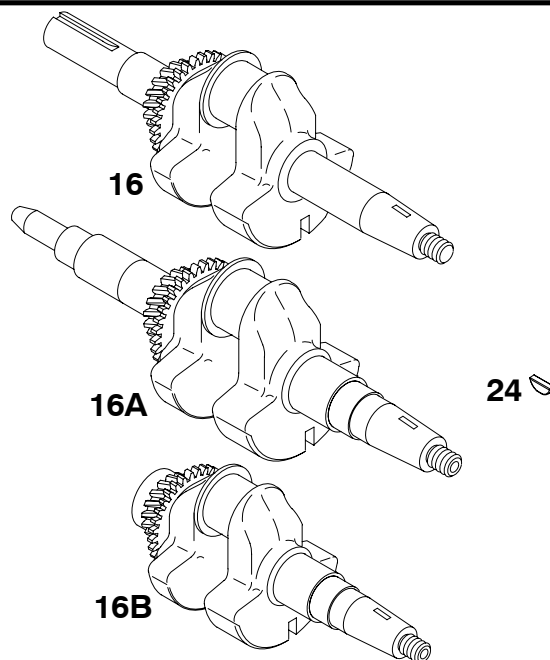
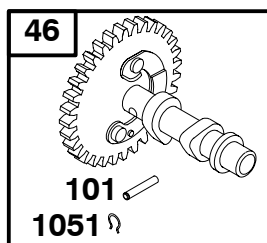
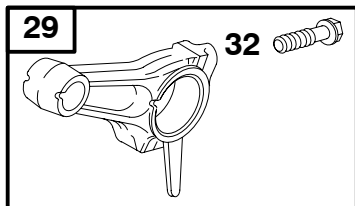
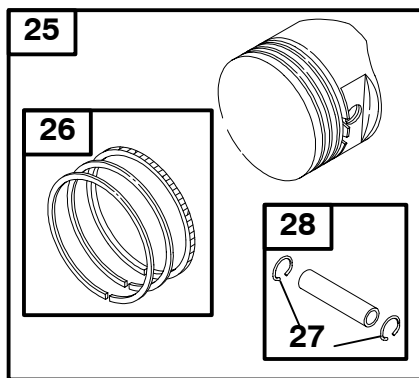
138400



| REF. NO. | PART NO. | DESCRIPTION | REF. NO. | PART NO. | DESCRIPTION | REF. NO. | PART NO. | DESCRIPTION |
|----------|----------|---------------------------------------|----------|----------|---------------------------------|----------|----------|--------------------------|
| 5 | 715444 | Head-Cylinder | 40 | 710012 | Retainer-Valve | 383 | 19576S | Wrench-Spark Plug |
| 7 | ★△710624 | Gasket-Cylinder Head | 42 | 715130 | Keeper-Valve | 635 | 710634 | Boot-Spark Plug |
| | | ----- Note ----- | 45 | 710008 | Tappet-Valve | 830 | 710016 | Stud-Rocker Arm |
| | | 710539 Gasket-Cylinder Head | 53 | 710148 | Stud (Carburetor) | 868 | 711634 | Seal-Valve |
| | | Used on Type No(s). 0140, 0155, 0284. | 192 | 710015 | Adjuster-Rocker Arm | 914 | 710023 | Screw (Rocker Arm Cover) |
| 13 | 710020 | Screw (Cylinder Head) | 296 | 710099 | Stud (Muffler) | 1022 | ★△710626 | Gasket-Rocker Cover |
| 33 | 715445 | Valve-Exhaust | 337 | 491055S | Plug-Spark (Resistor) | 1023 | 715450 | Cover-Rocker Arm |
| 34 | 715446 | Valve-Intake | | | ----- Note ----- | 1026 | 710622 | Rod-Push |
| 35 | 710011 | Spring-Valve (Intake) | | | 792015 Plug-Spark (Resistor) | 1029 | 710014 | Arm-Rocker |
| 36 | 710011 | Spring-Valve (Exhaust) | | | Used on Type No(s). 0162, 0190. | 1034 | 710017 | Guide-Push Rod |
| | | | | | | 1050 | 710007 | Nut (Rocker Arm) |

● Included in Carburetor Overhaul Kit-Ref. No. 121.
 ★ Included in Engine Gasket Set-Ref. No. 358.

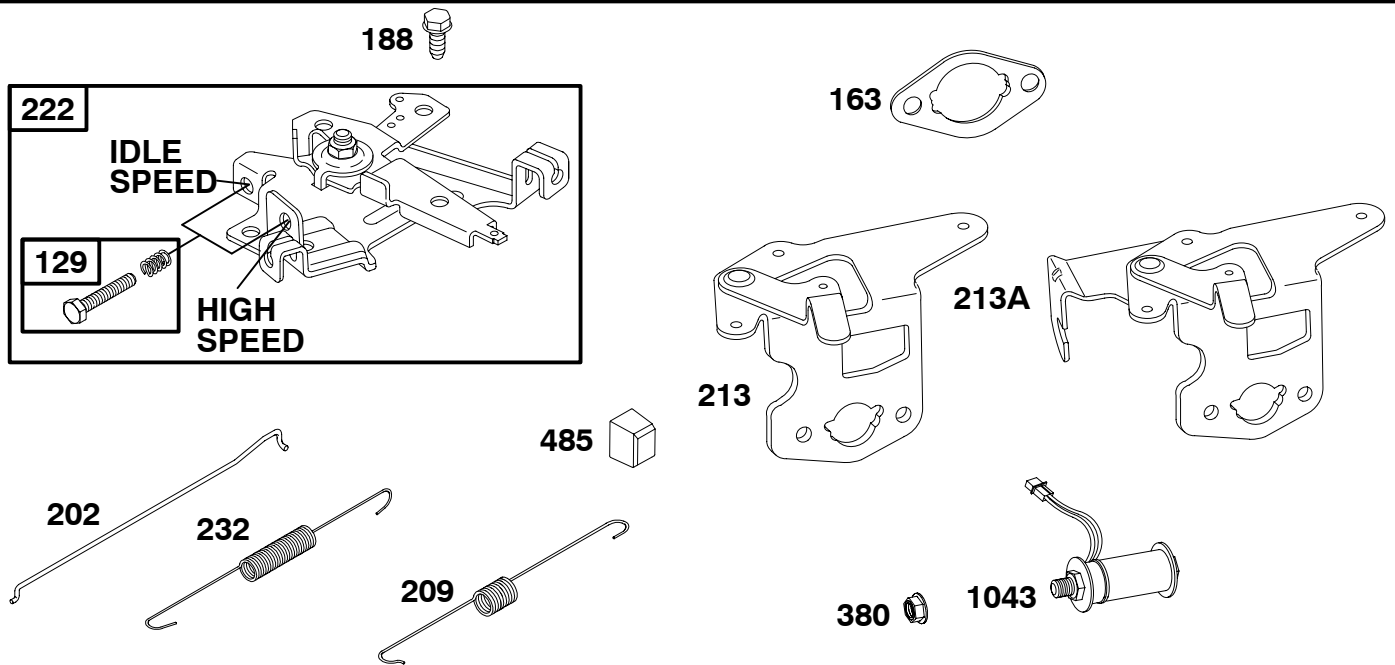
◆ Included in Carburetor Gasket Set-Ref. No. 977.
 △ Included in Valve Gasket Set-Ref. No. 1095.



| REF. NO. | PART NO. | DESCRIPTION | REF. NO. | PART NO. | DESCRIPTION | REF. NO. | PART NO. | DESCRIPTION |
|----------|----------|---|----------|----------|--|----------|----------|--|
| 16 | 715426 | Crankshaft (SAE 1" Keyway) Used on Type No(s). 0035, 0084, 0120, 0133, 0140, 0141, 0147, 0153, 0155, 0157, 0159, 0162, 0166, 0284. | 24 | 710037 | Key-Flywheel | 46 | 715451 | Camshaft ----- Note ----- 715606 Camshaft Used on Type No(s). 0131, 0132, 0144, 0145, 0152, 0160, 0169. |
| | | ----- Note ----- 715499 Crankshaft (SAE 3/4" Keyway) Used on Type No(s). 0047, 0127, 0190. | 25 | 715594 | Piston Assembly (Standard) ----- Note ----- 715595 Piston Assembly (.020 O.S.) | 101 | 710616 | Pin-Shaft ----- Note ----- 710340 Pin-Shaft Used on Type No(s). 0131, 0132, 0144, 0145, 0152, 0160, 0169. |
| 16A | 715469 | Crankshaft (SAE Taper) Used on Type No(s). 0038, 0042, 0158. | 26 | 715452 | Ring Set (Standard) ----- Note ----- 715454 Ring Set (.020 O.S.) | 1051 | 710039 | Ring-Retaining |
| 16B | 715592 | Crankshaft (2:1 Gear Reduction) Used on Type No(s). 0131, 0132, 0144, 0145, 0152, 0160, 0169. | 27 | 710040 | Lock-Piston Pin | | | |
| | | | 28 | 715455 | Pin-Piston | | | |
| | | | 29 | 715427 | Rod-Connecting (Standard) | | | |
| | | | 32 | 710095 | Screw (Connecting Rod) | | | |

● Included in Carburetor Overhaul Kit-Ref. No. 121.
★ Included in Engine Gasket Set-Ref. No. 358.

◆ Included in Carburetor Gasket Set-Ref. No. 977.
△ Included in Valve Gasket Set-Ref. No. 1095.

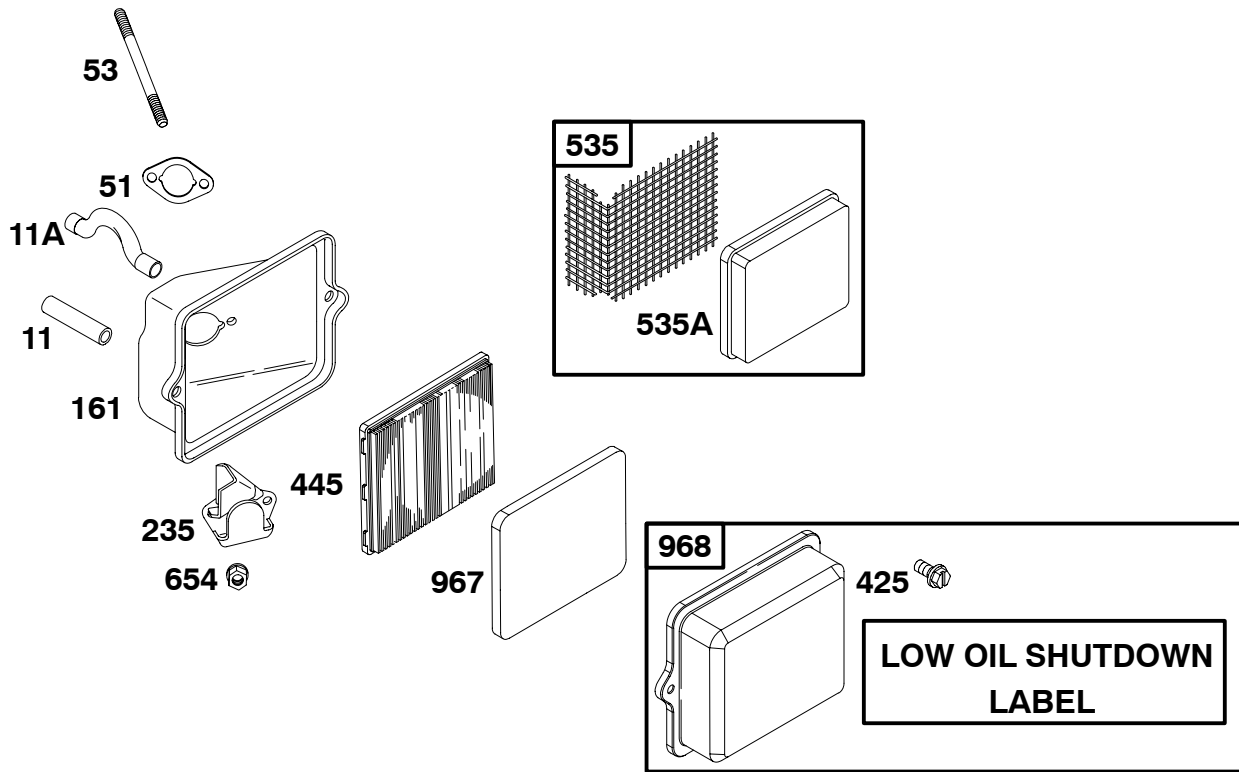


| REF. NO. | PART NO. | DESCRIPTION | REF. NO. | PART NO. | DESCRIPTION | REF. NO. | PART NO. | DESCRIPTION |
|----------|----------|---|----------|----------|---|----------|----------|---|
| 129 | 715024 | Screw/Spring-Governor Speed (High and Idle Speed Adjustment) ----- Note ----- 715170 Screw/Spring-Governor Speed (High and Idle Speed Adjustment) Used on Type No(s). 0038, 0042, 0131, 0132, 0158. | 209 | 710702 | Spring-Governor ----- Note ----- 710703 Spring-Governor Used on Type No(s). 0042, 0132, 0158. 710898 Spring-Governor Used on Type No(s). 0038. 710951 Spring-Governor Used on Type No(s). 0152, 0153, 0160. | 213A | 710731 | Bracket-Choke Control Used on Type No(s). 0042, 0157, 0158. |
| 163 | 710639 | Gasket-Air Cleaner | | | | 222 | 715025 | Bracket-Control ----- Note ----- 715046 Bracket-Control Used on Type No(s). 0038, 0042, 0131, 0132, 0158. |
| 188 | 710057 | Screw (Control Bracket) | 213 | 710635 | Bracket-Choke Control | 232 | 710638 | Spring-Governor Link |
| 202 | 710637 | Link-Mechanical Governor | | | | 380 | 710081 | Nut (Electro Magnet) |
| | | | | | | 485 | 692295 | Knob-Control |
| | | | | | | 1043 | 692955 | Magnet-Electro |

● Included in Carburetor Overhaul Kit-Ref. No. 121.
★ Included in Engine Gasket Set-Ref. No. 358.

◆ Included in Carburetor Gasket Set-Ref. No. 977.
△ Included in Valve Gasket Set-Ref. No. 1095.

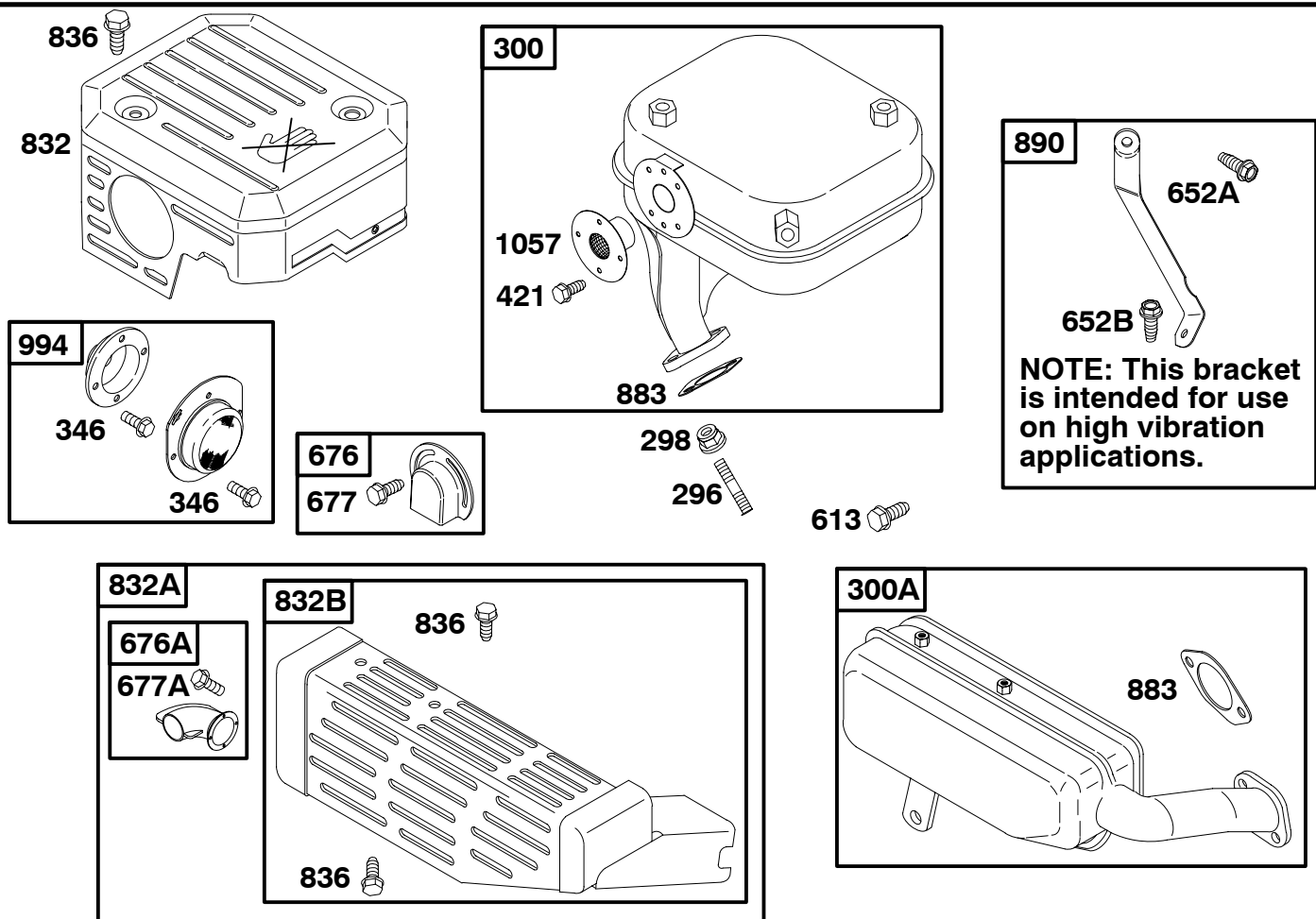
138400



| REF. NO. | PART NO. | DESCRIPTION | REF. NO. | PART NO. | DESCRIPTION | REF. NO. | PART NO. | DESCRIPTION |
|----------|----------|---|----------|----------|---------------------------------|----------|----------|----------------------------|
| 11 | 710115 | Tube-Breather | 235 | 710522 | Shield-Fuel Spray | 535A | 691315 | Filter-Air Cleaner Foam |
| 11A | 710450 | Breather Tube Used on Type No(s). 0035, 0042, 0158. | 425 | 694515 | Screw (Air Cleaner Cover) | 654 | 710068 | Nut (Carburetor) |
| 51 | 710060 | Gasket-Intake | 445 | 491588S | Filter-Air Cleaner Cartridge | 967 | 491435S | Filter-Pre Cleaner |
| 53 | 710148 | Stud (Carburetor) | 535 | 715511 | Filter-Air Cleaner Foam | 968 | 692321 | Cover-Air Cleaner |
| 161 | 710521 | Base-Air Cleaner | | | | | | |

● Included in Carburetor Overhaul Kit-Ref. No. 121.
 ★ Included in Engine Gasket Set-Ref. No. 358.

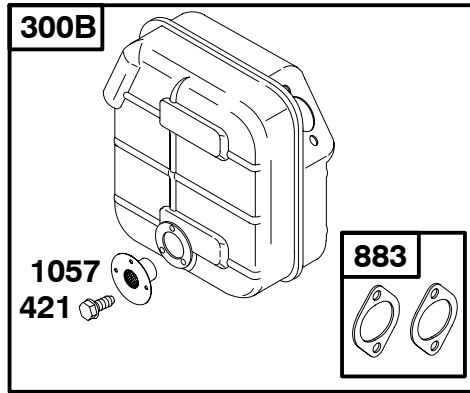
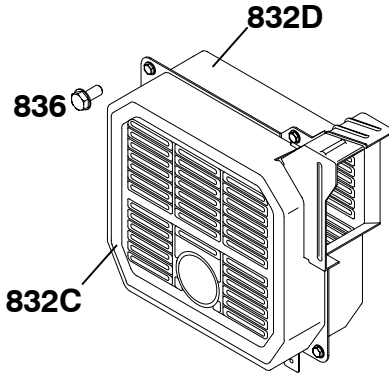
◆ Included in Carburetor Gasket Set-Ref. No. 977.
 Δ Included in Valve Gasket Set-Ref. No. 1095.



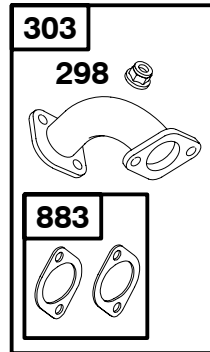
| REF. NO. | PART NO. | DESCRIPTION | REF. NO. | PART NO. | DESCRIPTION | REF. NO. | PART NO. | DESCRIPTION |
|----------|----------|------------------------|----------|----------|---------------------------|----------|----------|-----------------------|
| 296 | 710099 | Stud (Muffler) | 652B | 710248 | Screw (Support Bracket) | 832 | 710656 | Guard-Muffler |
| 298 | 710090 | Locknut-Muffler/Elbow | 652A | 710057 | Screw (Support Bracket) | 832A | 710952 | Guard-Muffler |
| 300 | 715508 | Muffler | 676 | 715230 | Deflector-Muffler | 832B | 715708 | Guard-Muffler |
| 300A | 715710 | Muffler | 676A | 715709 | Deflector-Muffler | 836 | 710074 | Screw (Muffler Guard) |
| 346 | 690661 | Screw (Spark Arrester) | 677 | 690661 | Screw (Muffler Deflector) | 883 | Δ710082 | Gasket-Exhaust |
| 421 | 710307 | Screw (Outlet Screen) | 677A | 710307 | Screw (Muffler Deflector) | 890 | 715319 | Bracket-Support |
| 613 | 710954 | Screw (Muffler) | | | | 994 | 715491 | Arrestor-Spark |
| | | | | | | 1057 | 710329 | Screen-Outlet |

● Included in Carburetor Overhaul Kit-Ref. No. 121.
 ★ Included in Engine Gasket Set-Ref. No. 358.

◆ Included in Carburetor Gasket Set-Ref. No. 977.
 Δ Included in Valve Gasket Set-Ref. No. 1095.



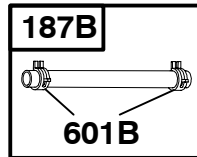
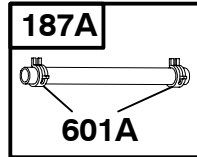
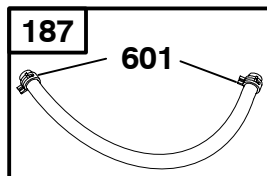
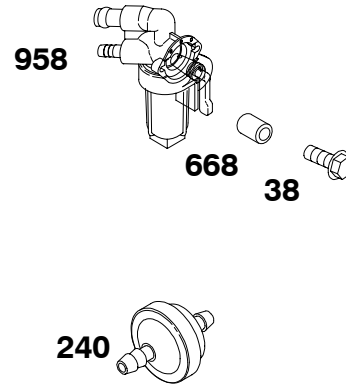
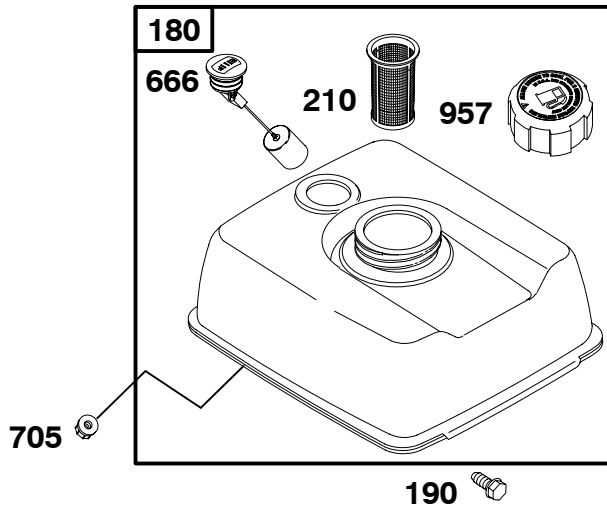
NOTE: This muffler is intended for replacement purposes only and is not to be used for retrofitting to engines with different exhaust systems.



| REF. NO. | PART NO. | DESCRIPTION | REF. NO. | PART NO. | DESCRIPTION | REF. NO. | PART NO. | DESCRIPTION |
|----------|----------|---------------------------|----------|----------|----------------------------------|----------|----------|-----------------------|
| 298 | 710090 | Locknut-Muffler/Elbow | 421 | 710307 | Screw (Outlet Screen) | 836 | 710074 | Screw (Muffler Guard) |
| 300B | 715602 | Muffler (Low Mount) | 832C | 710793 | Guard-Muffler (Low Mount, Front) | 883 | Δ*710082 | Gasket-Exhaust |
| 303 | 715603 | Elbow-Exhaust (Low Mount) | 832D | 710794 | Guard-Muffler (Low Mount, Rear) | 1057 | 710329 | Screen-Outlet |

● Included in Carburetor Overhaul Kit-Ref. No. 121.
 ★ Included in Engine Gasket Set-Ref. No. 358.

◆ Included in Carburetor Gasket Set-Ref. No. 977.
 Δ Included in Valve Gasket Set-Ref. No. 1095.

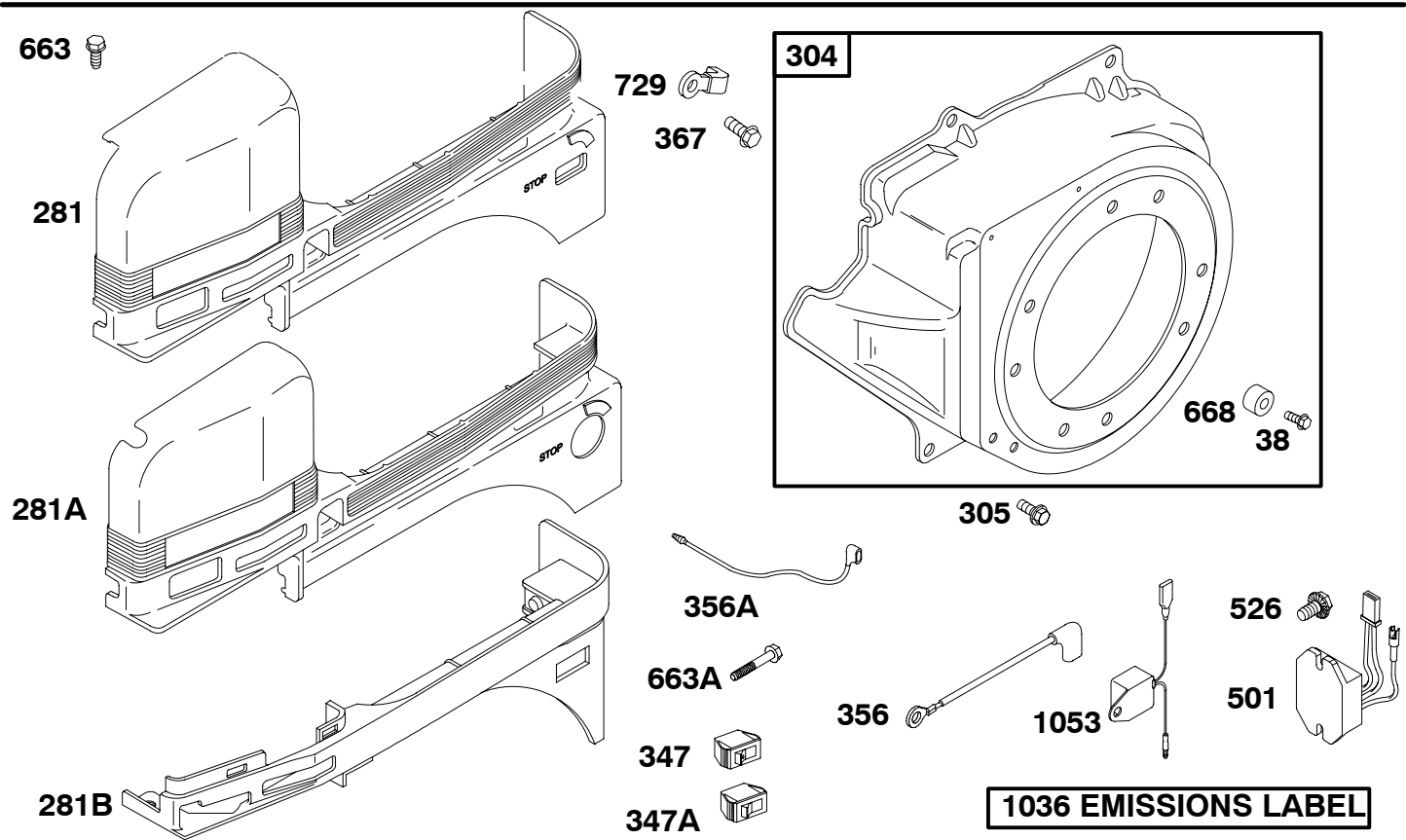


| REF. NO. | PART NO. | DESCRIPTION | REF. NO. | PART NO. | DESCRIPTION | REF. NO. | PART NO. | DESCRIPTION |
|----------|----------|--|----------|----------|---|----------|----------|----------------------------------|
| 38 | 710160 | Screw (Fuel Shut Off Valve) | 187A | 716121 | Line-Fuel (4mm ID) (Shut Off Valve To Carburetor)(Cut to Required Length) | 666 | 710066 | Gauge-Fuel |
| 180 | 715431 | Tank-Fuel | 187B | 716123 | Line-Fuel (6mm ID) (Carburetor To Filter) (Cut to Required Length) | 668 | 710159 | Spacer |
| | | Note ----- | 190 | 710023 | Screw (Fuel Tank) | 705 | 710068 | Nut (Fuel Tank) |
| | | 715663 Tank-Fuel Used on Type No(s). 0159, 0166. | 210 | 710065 | Strainer-Fuel | 957 | 710490 | Cap-Fuel Tank |
| | | 715691 Tank-Fuel Used on Type No(s). 0120, 0131, 0144, 0147, 0152, 0153. | 240 | 298090S | Filter-Fuel | 958 | 716111 | Valve-Fuel Shut Off (Plastic) |
| | | 716210 Tank-Fuel Used on Type No(s). 0162, 0190. | 601 | 710067 | Clamp-Hose | | | |
| 187 | 716126 | Line-Fuel (8mm ID) (Fuel Tank To Shut Off Valve)(Cut to Required Length) | 601A | 711549 | Clamp-Hose | | | |
| | | | 601B | 791850 | Clamp-Hose | | | |

● Included in Carburetor Overhaul Kit-Ref. No. 121.
★ Included in Engine Gasket Set-Ref. No. 358.

◆ Included in Carburetor Gasket Set-Ref. No. 977.
△ Included in Valve Gasket Set-Ref. No. 1095.

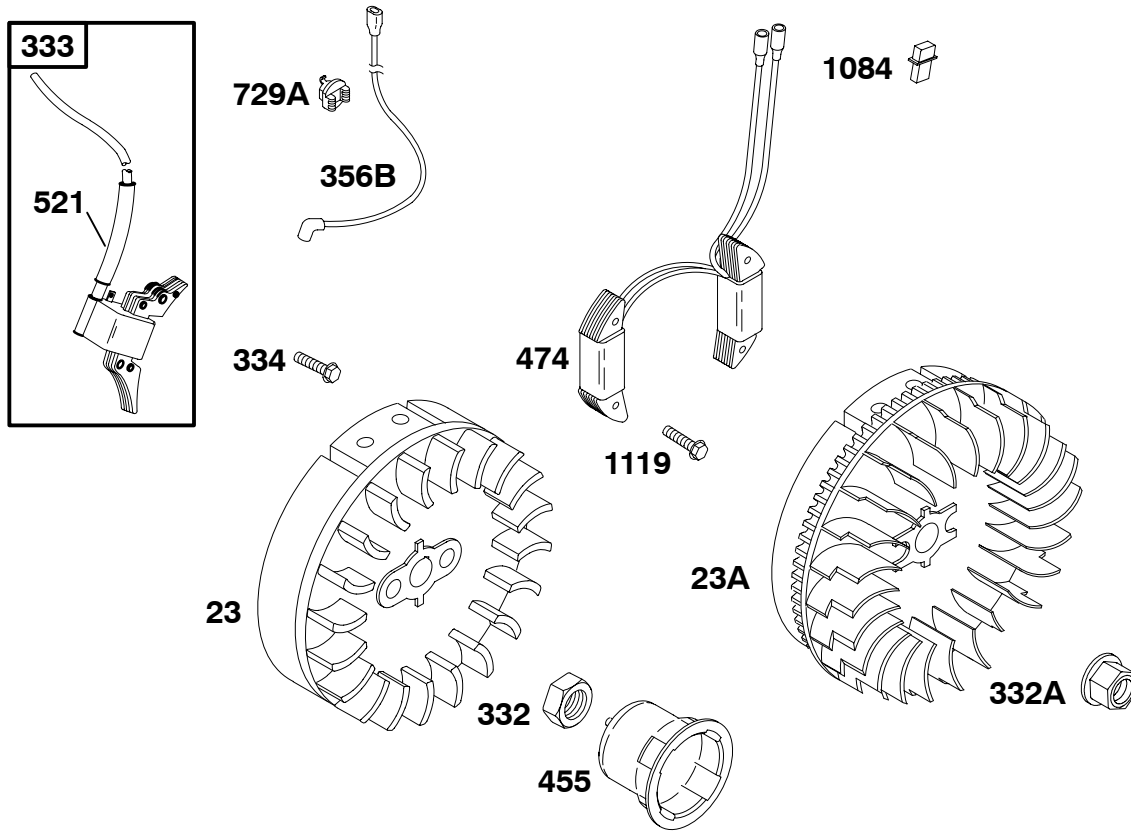
138400



| REF. NO. | PART NO. | DESCRIPTION | REF. NO. | PART NO. | DESCRIPTION | REF. NO. | PART NO. | DESCRIPTION | | |
|----------|----------|---|----------|----------|---------------------------------|----------|---|------------------------------|-----------|---|
| 38 | 710160 | Screw (Fuel Shut Off Valve) | | | | 347A | 495098S | Switch-Rocker (With Lamp) | | |
| 281 | 710646 | Panel-Control Used on Type No(s). 0035, 0038, 0047, 0120, 0127, 0131, 0132, 0133, 0144, 0145, 0147, 0152, 0153, 0157, 0158, 0159, 0160, 0162, 0166, 0190. | | | 715599 | | Housing-Blower Used on Type No(s). 0131, 0132, 0144, 0145, 0152, 0160. | | | |
| 281A | 710647 | Panel-Control Used on Type No(s). 0084, 0155, 0284. | | | 715688 | | Housing-Blower Used on Type No(s). 0140, 0284. | | | |
| 281B | 710733 | Panel-Control Used on Type No(s). 0042 | | | 715732 | | Housing-Blower Used on Type No(s). 0169. | | | |
| 304 | 715465 | Housing-Blower ----- Note ----- 715466 Housing-Blower Used on Type No(s). 0084, 0155. | 305 | 710023 | Screw (Blower Housing) | | | 710077 | Wire-Stop | |
| | | | 347 | 691995 | Switch-Rocker (Without Lamp) | | | 367 | 710023 | Screw (Wire Clip) |
| | | | | | | | | 501 | 691185 | Regulator Used on Type No(s). 0140, 0169, 0284. |
| | | | | | | | | 526 | 710057 | Screw (Regulator) |
| | | | | | | | | 663 | 710234 | Screw (Control Panel) |
| | | | | | | | | 663A | 710095 | Screw (Control Panel) |
| | | | | | | | | 668 | 710159 | Spacer |
| | | | | | | | | 729 | 710083 | Clip-Wire |
| | | | | | | | | 1036 | | Label-Emissions (Available from an Authorized Briggs & Stratton Service Dealer) |
| | | | | | | | | 1053 | 710305 | Module-Oil Gard® |

● Included in Carburetor Overhaul Kit-Ref. No. 121.
★ Included in Engine Gasket Set-Ref. No. 358.

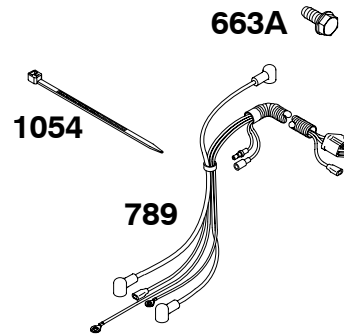
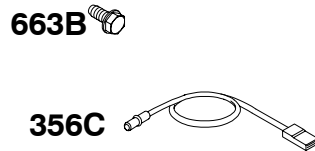
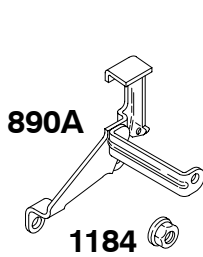
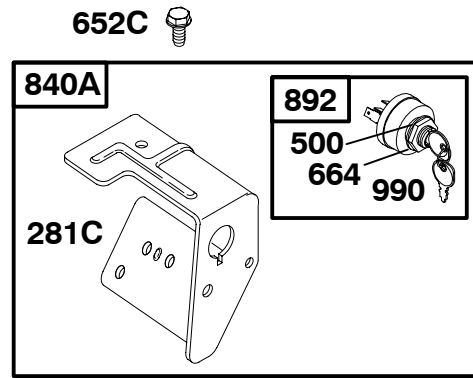
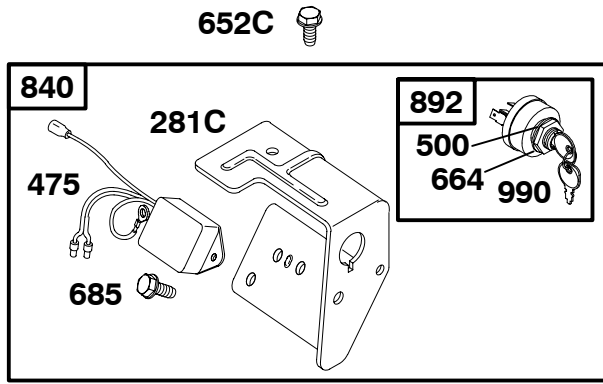
◆ Included in Carburetor Gasket Set-Ref. No. 977.
△ Included in Valve Gasket Set-Ref. No. 1095.



| REF. NO. | PART NO. | DESCRIPTION | REF. NO. | PART NO. | DESCRIPTION | REF. NO. | PART NO. | DESCRIPTION |
|----------|----------|---|----------|----------|--|----------|----------|---|
| 23 | 715429 | Flywheel ----- Note ----- 715598 Flywheel Used on Type No(s). 0131, 0132, 0144, 0145, 0152, 0160, 0169. | 332A | 710345 | Nut (Flywheel) | 455 | 710277 | Cup-Flywheel ----- Note ----- 710366 Cup-Flywheel Used on Type No(s). 0072, 0131, 0132, 0144, 0145, 0146, 0152, 0160. |
| 23A | 715430 | Flywheel Used on Type No(s). 0155. ----- Note ----- 715687 Flywheel Used on Type No(s). 0140, 0284. 715733 Flywheel Used on Type No(s). 0169. | 333 | 715464 | Armature-Magneto ----- Note ----- 715023 Armature-Magneto Used on Type No(s). 0084, 0140, 0155, 0169, 0284. 715982 Armature-Magneto Used on Type No(s). 0042, 0158. | 474 | 715255 | Alternator (4 Amp) Used on Type No(s). 0155. ----- Note ----- 715194 Alternator (10 Amp) Used on Type No(s). 0284. |
| 332 | 710048 | Nut (Flywheel) | 334 | 710047 | Screw (Magneto Armature) | 521 | 710045 | Shield-Cable |
| | | | 356B | 710324 | Wire-Stop ----- Note ----- 710931 Wire-Stop Used on Type No(s). 0141. | 729A | 710046 | Clip-Wire |
| | | | | | | 1084 | 710386 | Connector-Terminal |
| | | | | | | 1119 | 710047 | Screw (Alternator) |

● Included in Carburetor Overhaul Kit-Ref. No. 121.
★ Included in Engine Gasket Set-Ref. No. 358.

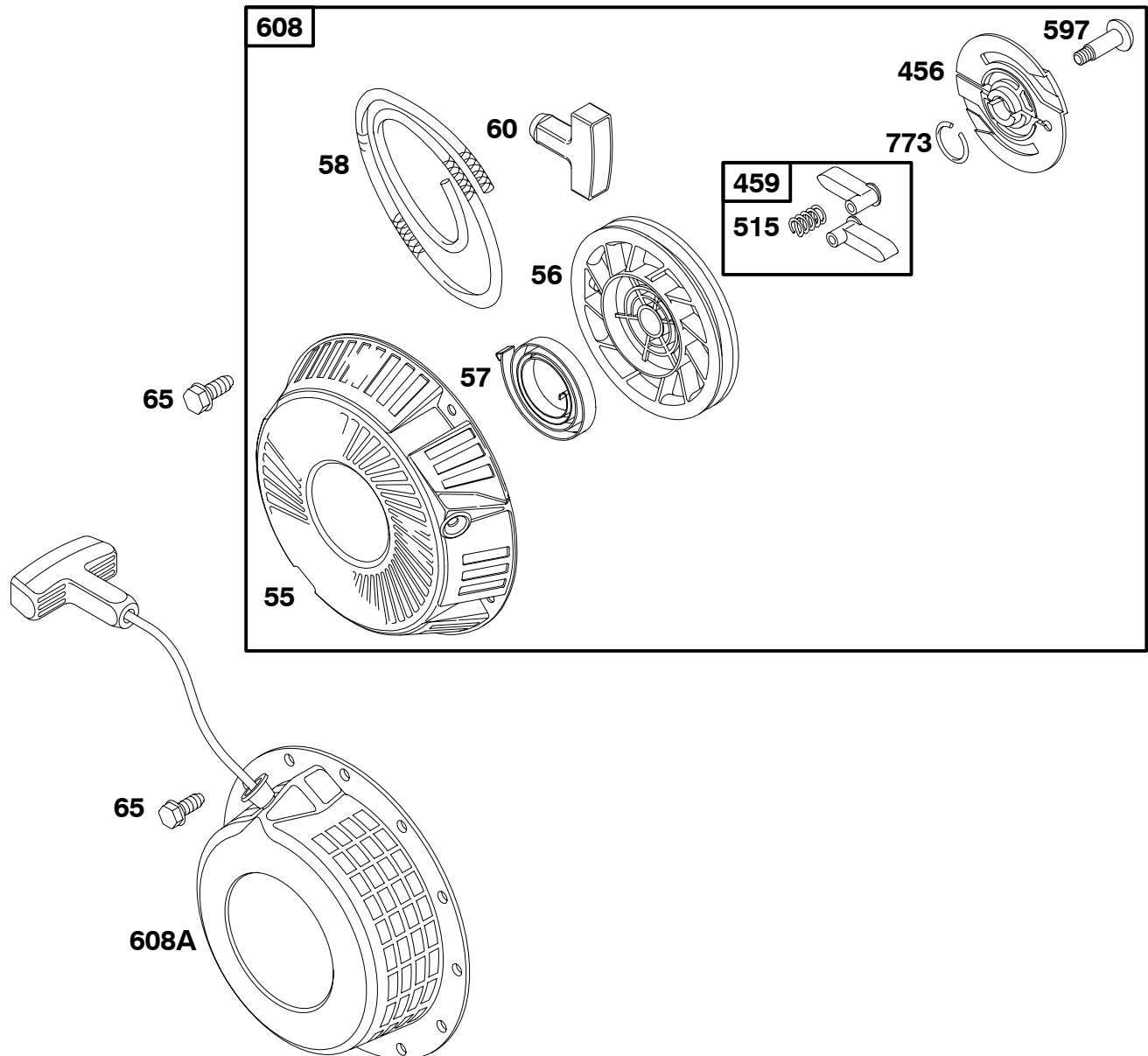
◆ Included in Carburetor Gasket Set-Ref. No. 977.
△ Included in Valve Gasket Set-Ref. No. 1095.



| REF. NO. | PART NO. | DESCRIPTION | REF. NO. | PART NO. | DESCRIPTION | REF. NO. | PART NO. | DESCRIPTION |
|-------------|---------------|---|-------------|---------------|---|-------------|---------------|-------------------------------|
| 281C | 710658 | Panel-Control | 664 | 691087 | Nut (Keyswitch) | 890A | 710644 | Bracket-Support |
| 356C | 710890 | Wire-Stop Used on Type No(s). 0169, 0284. | 685 | 710089 | Screw (Rectifier) | 892 | 692318 | Switch-Key (Includes Keys) |
| 475 | 715200 | Rectifier | 789 | 710645 | Harness-Wiring | 990 | 691959 | Key Set |
| 500 | 691086 | Washer (Keyswitch) | 840 | 715432 | Kit-Panel Used on Type No(s). 0155. | 1054 | 710349 | Tie-Cable |
| 652C | 710074 | Screw (Support Bracket) | 840A | 715689 | Kit-Panel Used on Type No(s). 0169, 0284. | 1184 | 710068 | Nut (Support Bracket) |
| 663B | 710074 | Screw (Control Panel) | | | | | | |

● Included in Carburetor Overhaul Kit-Ref. No. 121.
★ Included in Engine Gasket Set-Ref. No. 358.

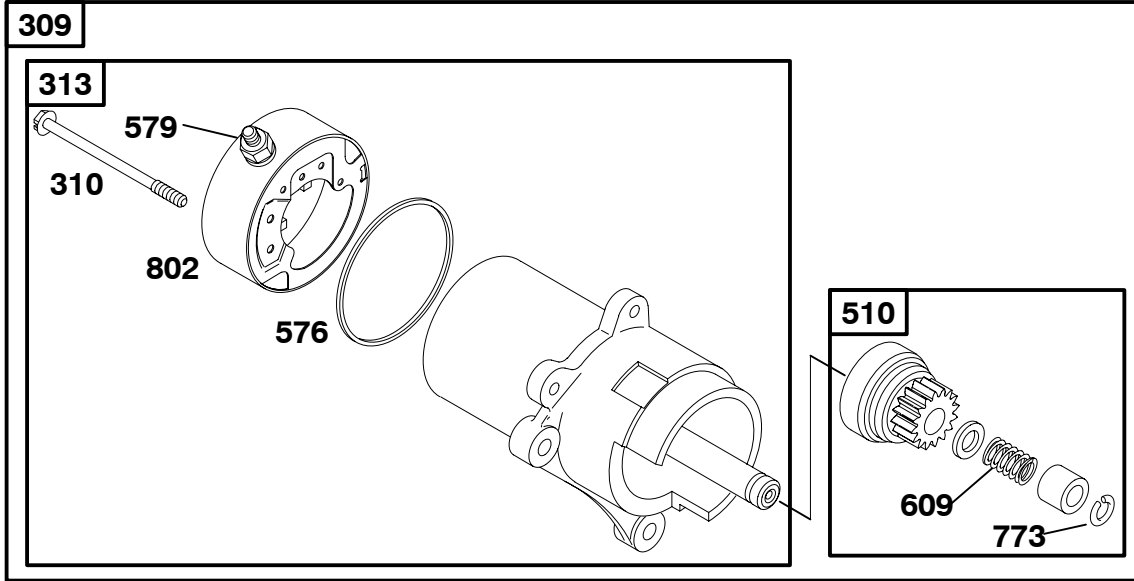
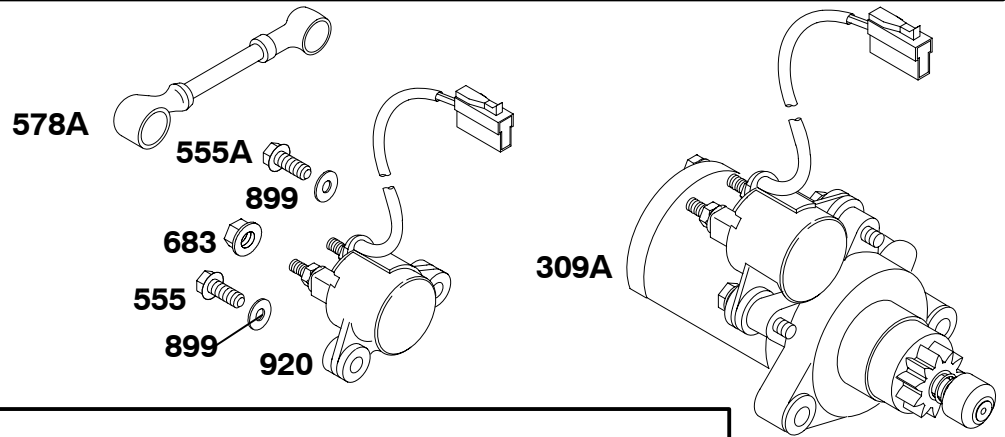
◆ Included in Carburetor Gasket Set-Ref. No. 977.
△ Included in Valve Gasket Set-Ref. No. 1095.



| REF. NO. | PART NO. | DESCRIPTION | REF. NO. | PART NO. | DESCRIPTION | REF. NO. | PART NO. | DESCRIPTION |
|----------|----------|---------------------------------------|----------|----------|-----------------------------|----------|----------|--|
| 55 | 715132 | Housing-Rewind Starter | 65 | 710074 | Screw (Rewind Starter) | 608A | 715128 | Starter-Rewind Used on Type No(s). 0131, 0132, 0144, 0145, 0146, 0152, 0160, 0169. |
| 56 | 710274 | Pulley-Starter | 456 | 710272 | Plate-Pawl Friction | | | |
| 57 | 710270 | Spring-Rewind Starter | 459 | 715256 | Pawl-Ratchet | | | |
| 58 | 66574 | Rope-Starter (Cut to Required Length) | 515 | 691528 | Spring-Pawl | | | |
| 60 | 490652 | Grip-Starter Rope | 597 | 690875 | Screw (Pawl Friction Plate) | | | |
| | | | 608 | 715133 | Starter-Rewind | 773 | 690875 | Retainer |

● Included in Carburetor Overhaul Kit-Ref. No. 121.
 ★ Included in Engine Gasket Set-Ref. No. 358.

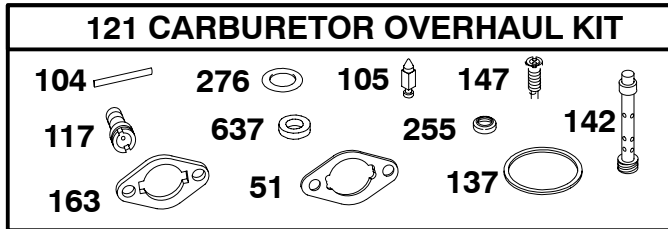
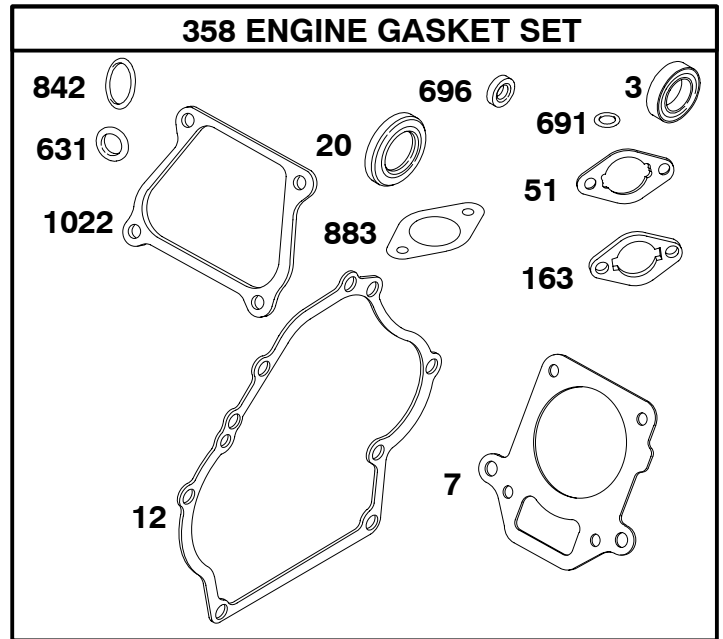
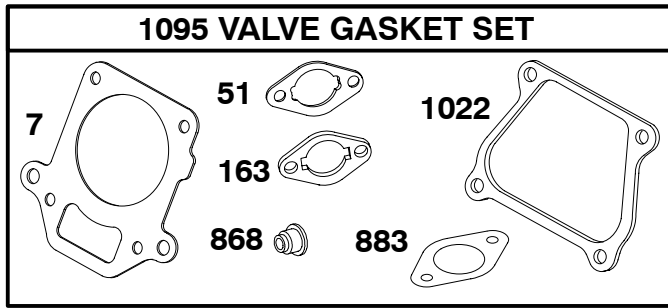
◆ Included in Carburetor Gasket Set-Ref. No. 977.
 △ Included in Valve Gasket Set-Ref. No. 1095.



| REF. NO. | PART NO. | DESCRIPTION | REF. NO. | PART NO. | DESCRIPTION | REF. NO. | PART NO. | DESCRIPTION |
|----------|----------|---|----------|----------|--|----------|----------|---------------------------------|
| 309 | 715413 | Motor-Starter | 555 | 710360 | Screw (Starter Solenoid) | 609 | 710357 | Spring-Starter Drive |
| 309A | 715734 | Motor-Starter Used on Type No(s). 0169. | 555A | 710891 | Screw (Starter Solenoid) | 683 | 710362 | Nut (Starter Solenoid) |
| 310 | 710354 | Bolt (Starter Motor) | 576 | 710610 | O-Ring Seal (Starter Sub Assembly) | 773 | 710359 | Retainer |
| 313 | 715408 | Starter Sub Assembly | 578A | 715198 | Wire Assembly (Starter Motor) | 802 | 715195 | Cap-End (Includes Brush Set) |
| 413 | 710081 | Nut (Starter Motor) | 579 | 710362 | Nut (Starter Cable) | 899 | 710361 | Washer (Starter Solenoid) |
| 510 | 715196 | Drive-Starter | | | | 920 | 715197 | Solenoid-Starter |
| 527 | 710100 | Clamp-Tube | | | | 1009 | 710348 | Screw (Starter Motor) |

● Included in Carburetor Overhaul Kit-Ref. No. 121.
 ★ Included in Engine Gasket Set-Ref. No. 358.

◆ Included in Carburetor Gasket Set-Ref. No. 977.
 Δ Included in Valve Gasket Set-Ref. No. 1095.



| REF. NO. | PART NO. | DESCRIPTION | REF. NO. | PART NO. | DESCRIPTION | REF. NO. | PART NO. | DESCRIPTION |
|----------|-----------|---|----------|-----------|---|----------|----------|--|
| 3 | ★710000 | Seal-Oil (Magneto Side) | 121 | 715484 | Kit-Carburetor Overhaul | 868 | 711634 | Seal-Valve (Used After Code Date 03013000). |
| 7 | ★Δ710624 | Gasket-Cylinder Head | 137 | ◆ | Gasket-Float Bowl (Sold in Kit Only) | | | ----- Note ----- |
| 12 | ★710628 | Gasket-Crankcase | 142 | ●710664 | Nozzle-Carburetor | | | Δ710979 Seal-Valve (Used Before Code Date 03013100), |
| 20 | ★710215 | Seal-Oil (PTO Side) | 147 | ●710883 | Jet-Pilot | 883 | ★Δ710082 | Gasket-Exhaust |
| | | ----- Note ----- | 163 | ★Δ◆710639 | Gasket-Air Cleaner | 977 | 715485 | Gasket Set-Carburetor |
| | | ★710788 Seal-Oil (PTO Side) | 255 | ●710678 | Bushing-Choke Shaft | 1022 | ★Δ710626 | Gasket-Rocker Cover |
| | | Used on Type No(s). 0131, 0132, 0144, 0145, 0152, 0160, 0169, | 276 | ◆◆710666 | Washer-Sealing | 1095 | 715483 | Gasket Set-Valve |
| | | | 358 | 715714 | Gasket Set-Engine | | | |
| 51 | ★◆Δ710060 | Gasket-Intake | 631 | ★710004 | Washer (Oil Drain Plug) | | | |
| 104 | ●710663 | Pin-Float Hinge | 637 | ● | Washer (Throttle Shaft, Sold in Kit Only) | | | |
| 105 | ●710661 | Valve-Float Needle | 691 | ★710055 | Seal-Governor Shaft | | | |
| | | ----- Note ----- | 696 | ★710091 | O-Ring Seal (Oil Sensor) | | | |
| | | ★712042 Valve-Float Needle | 842 | ★710029 | O-Ring Seal (Dipstick) | | | |
| | | Used on Type No(s). 0162, 0190. | | | | | | |
| 117 | ●710881 | Jet-Main | | | | | | |

● Included in Carburetor Overhaul Kit-Ref. No. 121.
 ★ Included in Engine Gasket Set-Ref. No. 358.

◆ Included in Carburetor Gasket Set-Ref. No. 977.
 Δ Included in Valve Gasket Set-Ref. No. 1095.